



FEATURES

- Chain prevents misplacement & encourages use
- Machined for a secure fit

The Metal Cap & Chain is available for ST, SC, FC, and LC style fiber optic mating sleeves. The metal caps are machined to provide a secure fit. The chain serves to prevent misplacement of the cap and also encourages use of the cap by keeping it in close proximity to the fiber optic mating sleeve.

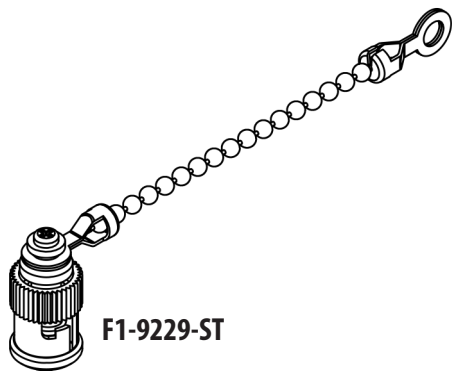
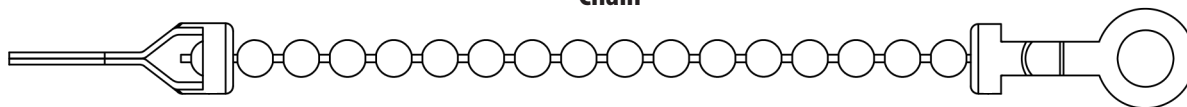
SPECIFICATIONS

Dimensions

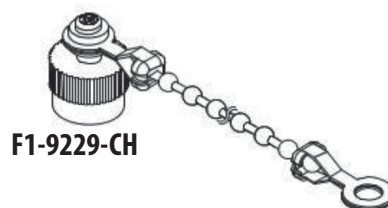
55mm Chain

TECH DRAWING

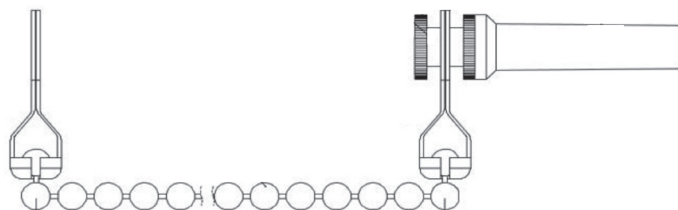
Chain



F1-9229-ST



F1-9229-CH



F1-9229-LC



F1-9229-SC