



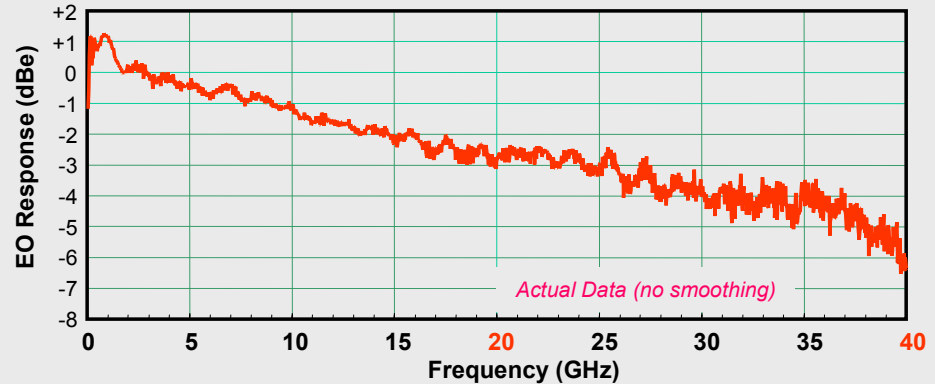
Low-Insertion-Loss

40 Gb/s X-cut Modulator



- X-cut LiNbO₃ device
- Zero-Chirp ($\alpha = 0 \pm 0.1$)
- Low-Insertion-Loss
- Low Drive Voltage
- Separate RF (data) and DC Bias electrode
- Usable for both Digital and RF applications

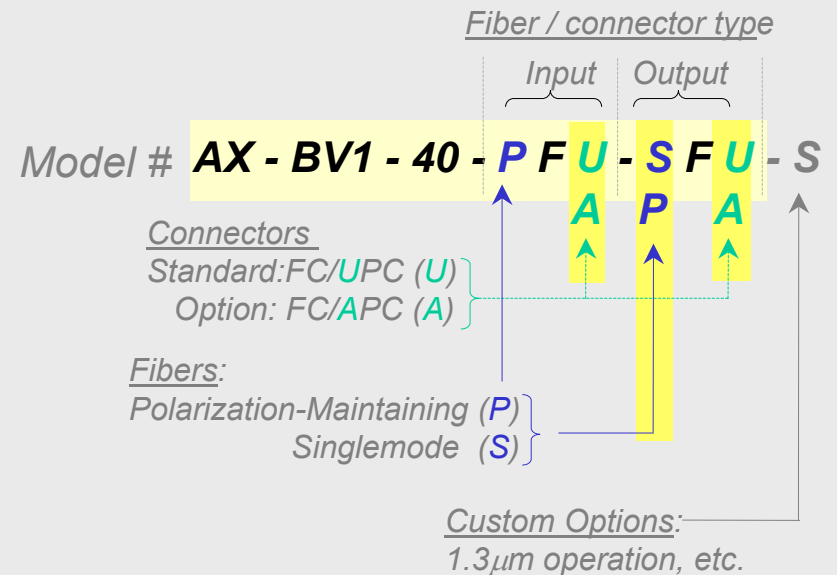
Typical Measured Electro-Optic Response (dBe)



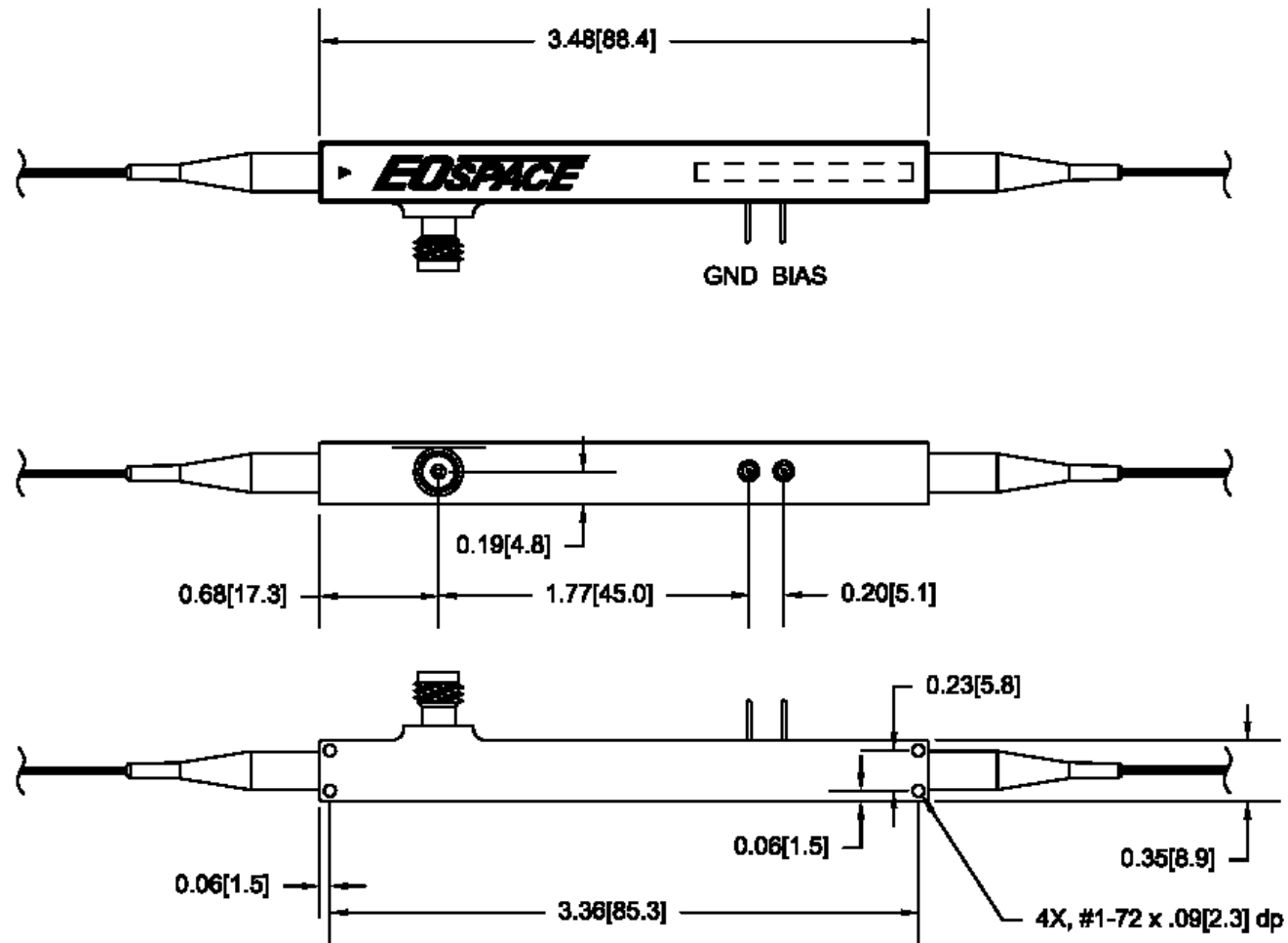
40 Gb/s X-cut LiNbO₃ Modulator

Optical Insertion Loss	Standard (<4dB), Low-loss (<3dB), Custom Ultra-low-loss (<2dB)
Bandwidth	~25 GHz (with respect to 0.13GHz ref.)
RF V_{π} @ 1GHz	< 5.0 V
$ S_{11} $ RF Return Loss	> 10 dB (0.13-25GHz)
Optical Return Loss	> 40 dB
Optical Extinction	> 20 dB
DC Bias Port: V_{π}	< 8 V
RF Connector	Female V
Input Fiber	PM (Polarization Maintaining)
Output Fiber	SM or PM
Fiber Connector	FC/UPC (std.) or FC/APC (opt.)
Wavelength	1550 nm (C & L bands)
Crystal cut / Material	x-cut LiNbO ₃
Package size	~88.4 x 8.9 x 8.9 (mm ³)

Order Information



PACKAGE OUTLINE



Units: Inches[mm]

© V Connector is a registered trademark of Anritsu Company

Specifications

RF port connector	Anritsu V Connector® V102F female
Bias port pins	Diameter: 0.025 in. Length: 0.22 in.
Input fiber	PANDA Polarization Maintaining
Output fiber	Corning SMF-28 or PANDA PM
Cabling	900 μm polyester loose tube
Optical connectors	FC/UPC, FC/APC, others

Customer Drawing

MODEL NUMBER
PER SPECIFICATION

EDSPACE INC. RESERVES THE RIGHT TO MAKE CHANGES TO THE PRODUCT(S) OR INFORMATION CONTAINED HEREIN WITHOUT NOTICE. NO LIABILITY IS ASSUMED AS A RESULT OF THEIR USE OR APPLICATION.

EDSPACE

8711 148th Avenue NE
Redmond, WA 98052
425-869-8673

NAME V PACKAGE, 88 x 9 x 9

SIZE A	CASE CODE 1JJW5	DWG. NO. C1592	REV. -
SCALE N.T.S.	CMC08	SHEET 1	OF 1