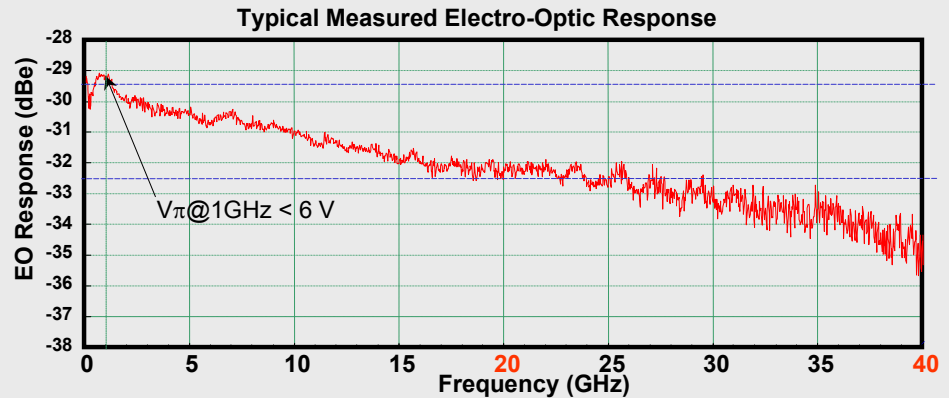




Low-Insertion-Loss 40 Gb/s Phase Modulator



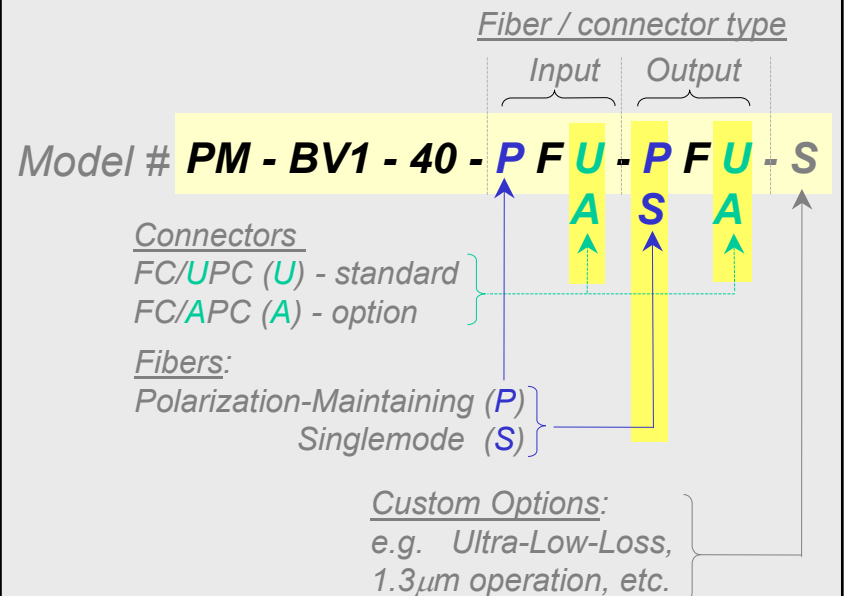
- Electro-optic LiNbO₃ waveguide technology
- Exceptionally-low-insertion-loss with < 3 dB (standard) and < 2 dB (option)
- Low Drive Voltage
- Usable bandwidth to ~ 40 GHz with Response @ 25GHz (~ 3dB)



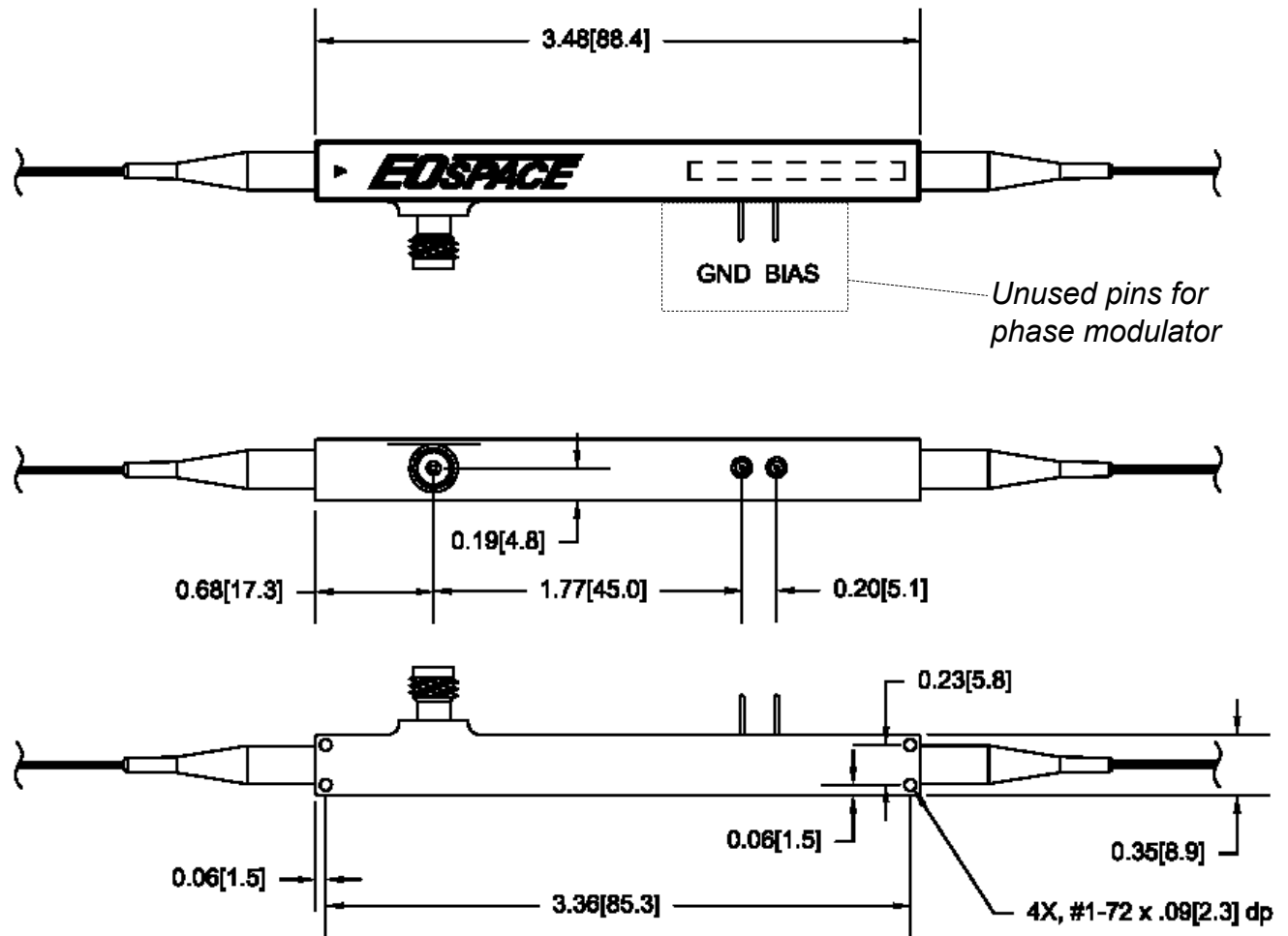
Low-Loss LiNbO₃ Phase Modulator

Optical Insertion Loss	< 3 dB (standard); < 2 dB (Option)
RF V _π @ 1GHz	< 6 V(max)
S ₂₁ Response (with respect to 0.13GHz)	~3dB @ 25GHz with usable bandwidth to 40GHz
S ₁₁ RF Return Loss	> 10 dB (0.13-25 GHz)
Optical Return Loss	> 40 dB
Optical Extinction	> 20 dB
RF Connector	Female V
Input Fiber	PM (Polarization Maintaining)
Output Fiber	PM or SM
Fiber Connector	FC/UPC (std.) or FC/APC (Opt.)
Wavelength	1550 nm (C and L bands)
Package size	88.4 x 8.9 x 8.9 (mm ³) 3.48" x 0.35" x 0.35"

Order Information



PACKAGE OUTLINE



Units: Inches[mm]

© V Connector is a registered trademark of Anritsu Company

Specifications

RF port connector	Anritsu V Connector® V102F female
Bias port pins	Diameter: 0.025 in. Length: 0.22 in.
Input fiber	PANDA Polarization Maintaining
Output fiber	Corning SMF-28 or PANDA PM
Cabling	900 μm polyester loose tube
Optical connectors	FC/UPC, FC/APC, others

Customer Drawing

MODEL NUMBER
PER SPECIFICATION

EOSPACE INC. RESERVES THE RIGHT TO MAKE CHANGES TO THE PRODUCT(S) OR INFORMATION CONTAINED HEREIN WITHOUT NOTICE. NO LIABILITY IS ASSUMED AS A RESULT OF THEIR USE OR APPLICATION.

EDSPACE

8711 148th Avenue NE
Redmond, WA 98052
425-869-8673

NAME **V PACKAGE, 88 x 9 x 9**

SIZE A	CASE CODE 1JJW5	DWG. NO. C1592	REV. -
SCALE N.T.S.	CMC08	SHEET 1	OF 1