

# INPHENIX

## 1550nm Distributed Feedback Laser Diode Device

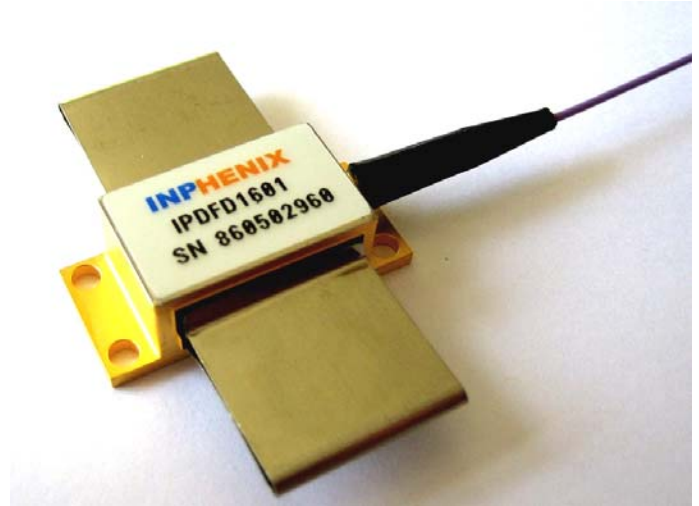
### IPDFD1502

#### Features

- High output power
- Narrow linewidth
- High side mode suppression

#### Applications

- Fiber optic sensor
- Metrology

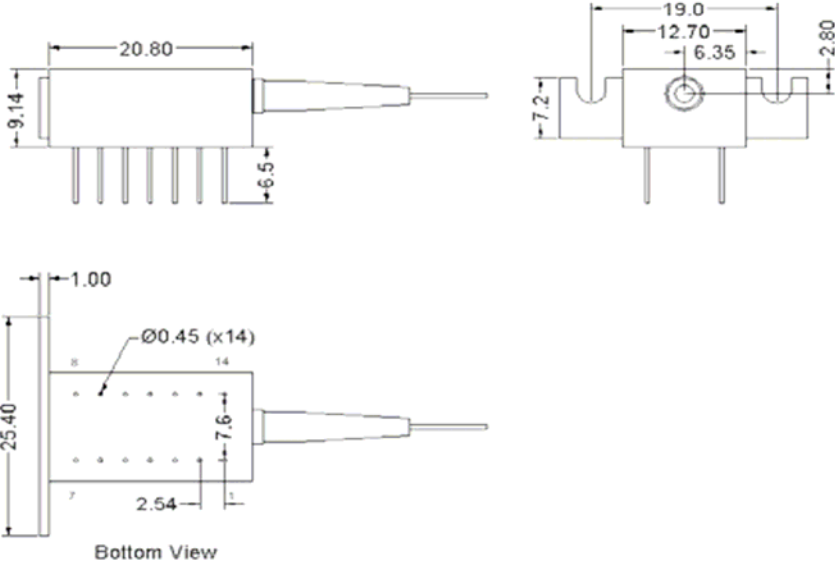


#### Device Specifications

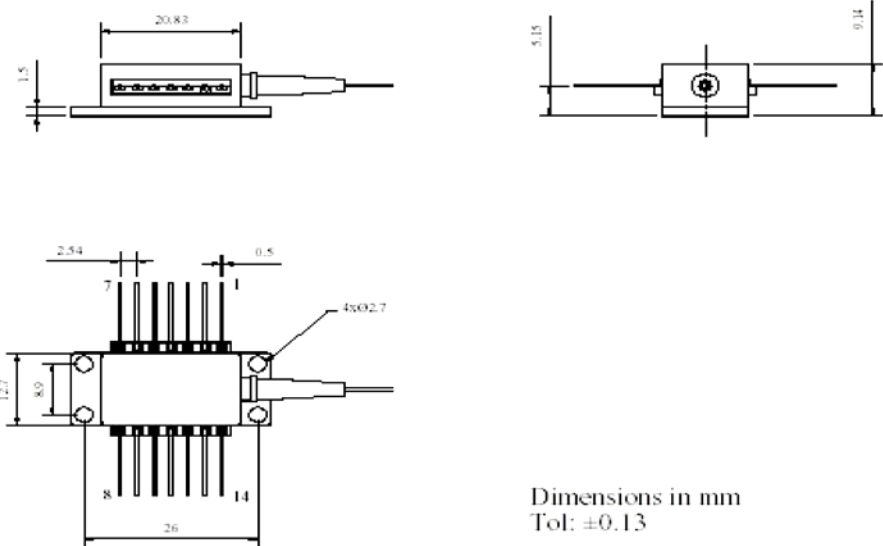
Parameter	Symbol	Min.	Typ.	Max.	Unit	Test Condition
Threshold Current	$I_{th}$	-	-	20	mA	CW
Operating Current	$I_{op}$	-	-	120	mA	CW, $P_f = P_{op}$
Output Power	$P_{op}$	5	-	-	mW	CW, $I = I_{op}$
Slope Efficiency	$S_e$	-	0.15	-	W/A	CW, $P_f = P_{op}$
Forward Voltage	$V_f$	-	-	-	V	CW, $P_f = P_{op}$
Peak Wavelength	$\lambda_p$	1530	-	1570	nm	CW, $P_f = P_{op}$
Spectral Width	$\Delta\lambda$	-	-	0.2	nm	CW, $P_f = P_{op}$ , 20 dB down
Peak Wavelength Drift	$D\lambda$	-	-	-	nm/°C	CW, $P_f = P_{op}$
Side Mode Suppression Ratio	SMSR	35	-	-	dB	CW, $P_f = P_{op}$

# INPHENIX

## Package Dimensions



14-Pin DIL Package



Dimensions in mm  
Tol:  $\pm 0.13$

14-Pin BUT Package

All information contained herein is believed to be accurate and is subject to change without notification. No responsibility is assumed. Please contact InPhenix for more information. InPhenix and the InPhenix logo are trademarks of InPhenix Inc. All rights are reserved.

# INPHENIX

## Pin Definition

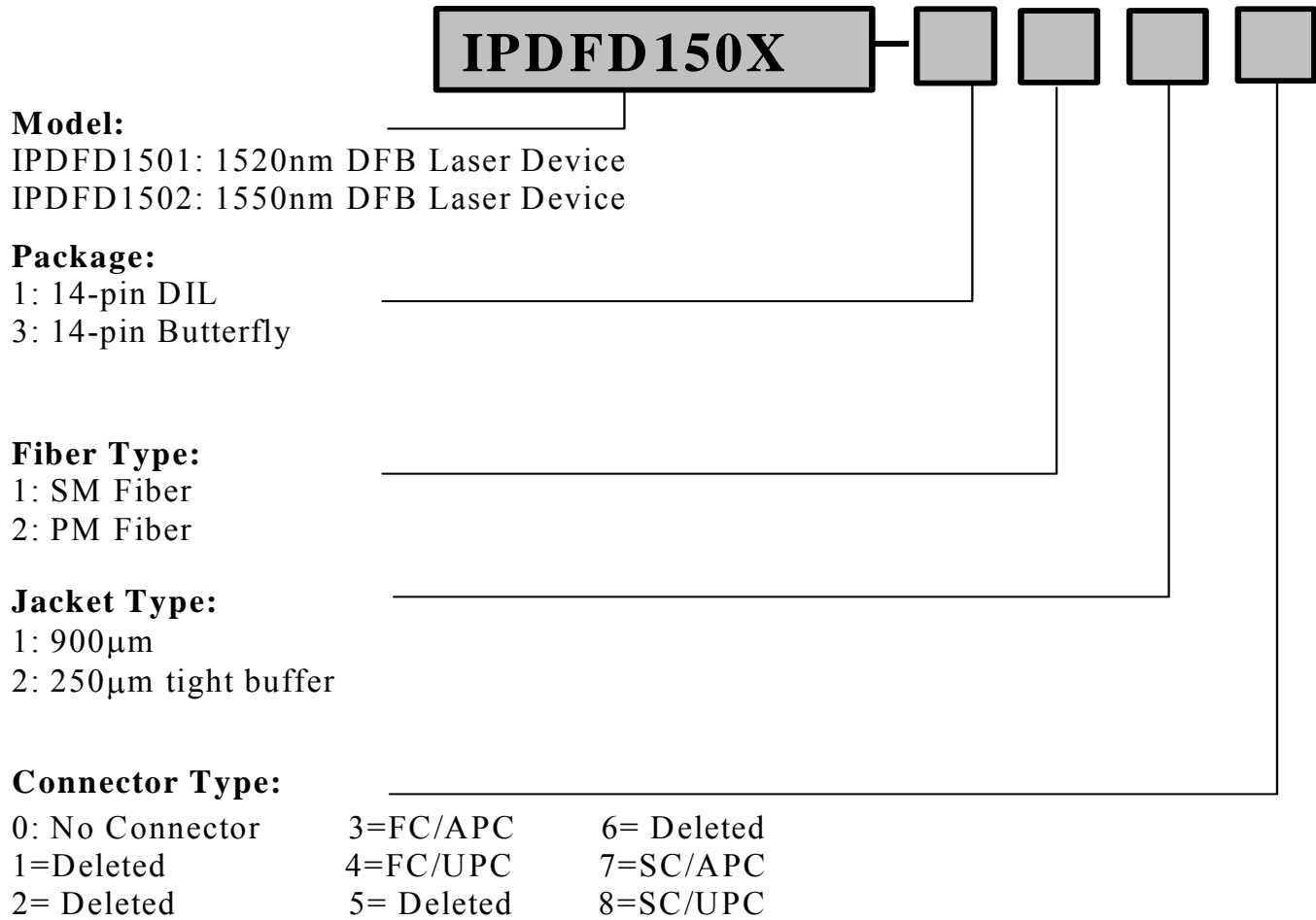
14-pin DIL package				14-pin BUT package			
Pin	Function	Pin	Function	Pin	Function	Pin	Function
1	TEC(+)	8	PD(+)	1	Thermistor	8	NC
2	NC	9	LD(-)	2	Thermistor	9	NC
3	NC	10	Case	3	LD(-)	10	NC
4	NC	11	Thermistor	4	PD(+)	11	NC
5	LD(+)	12	Thermistor	5	PD(-)	12	LD (-)
6	NC	13	NC	6	TEC (+)	13	LD (+) Case GND
7	PD(-)	14	TEC (-)	7	TEC (-)	14	NC

## Absolute Maximum Ratings

Parameter	Min.	Max.	Unit
Operating Temperature	- 20	70	°C
Storage Temperature	- 40	85	°C
TEC Drive Current	-	1.5	A
TEC Drive Voltage	-	3.6	V
Maximum Current	170		mA
Thermistor Resistance	10kΩ @ 25°C		
SLD Chip Temperature Setting	25°C		
Fiber Type	SMF		
Fiber Jacket	900 μm or 250 μm tight buffer		
Package	14-pin DIL/14-pin BUT, Others available		

# INPHENIX

## Part Numbering Structure



**Example:** IPDFD1502-1110: 1550nm DFB LD in 14-pin DIL with 900 µm SM fiber, without connector.

**Corporate Office**  
 250 North Mines Rd  
 Livermore, CA 94551  
 Tel: 925.606.8809  
 Fax: 925.606.8810  
[www.inphenix.com](http://www.inphenix.com)