



FL-1178-CW/1~10W

SPECIFICATIONS

HIGH POWER ALL FIBER CW LASER

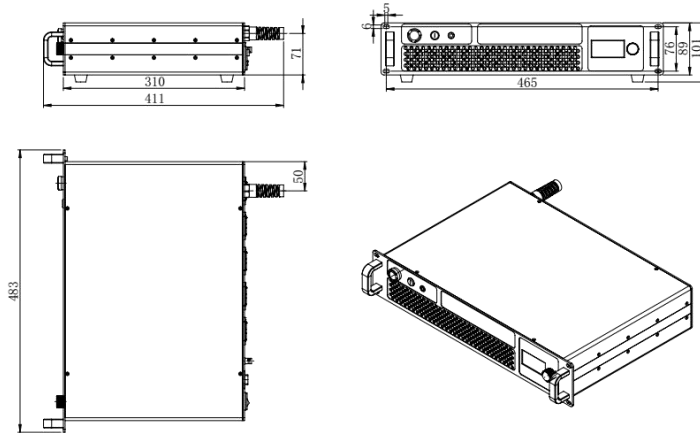
High Power all fiber CW laser at 1178nm is made features of ultra compact, long lifetime, low cost and easy operating, which is widely used in biomedicine, spectroscopy, laser sintering, laser microprocessing, laser sensing, Raman laser pumping source, etc.



Wavelength (nm)	1178±1	
Operating mode	CW	
Output power (W)	5W	10W
Power stability (rms, over 4 hours)	<2%, <3%	
Line width(nm)	<2nm	
M ² factor	<1.3	
Output Fiber termination	FC/APC(single mode:10um) or Collimator(4~6mm)	
Polarization ratio	Random	
Cooled method	Air cooled	
Warm-up time (minutes)	<15	
Delivery cable length (m)	variable	
Operating temperature (°C)	15~35	
Power supply	AC 220V	
Expected lifetime (hours)	10000	
Warranty	1 year	



FL-1178-CW



411(L)×483(W)×107(H) mm³, 5kg

