

MIL-W-2796/10~300mW

**LD PUMPED ALL-SOLID-STATE INFRARED LASER**

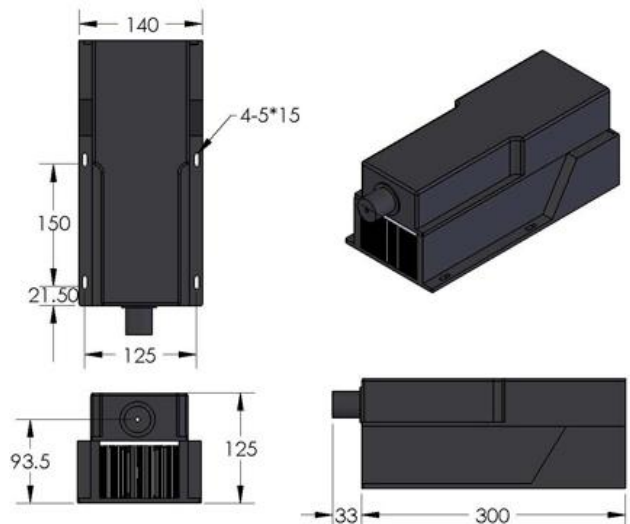
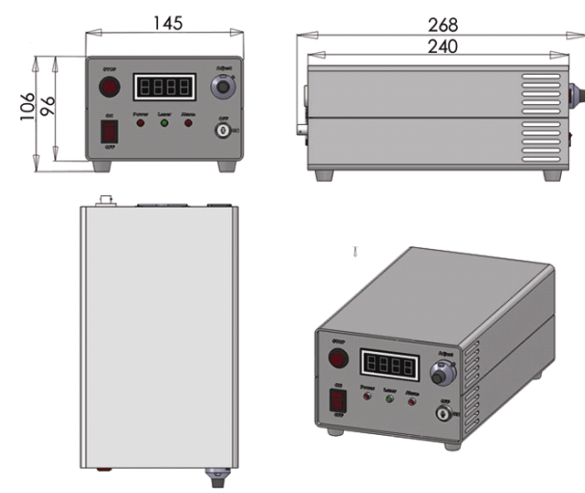
CNI's All solid state infrared laser at 2796nm is always called waterlaser. It is made features of good beam quality and easy operating, they are widely used in military and medical treatment in which it can perform many procedures without a shot or a drill.



SPECIFICATIONS

Wavelength (nm)	2796±3
Output power (mW)	>10, 20, ..., 300
Operating mode	CW
Power stability (rms, over 4 hours)	<3%
Warm-up time (minutes)	<10
Beam divergence, full angle (mrad)	<8
Beam diameter at the aperture (mm)	<3
Beam height from base plate (mm)	45
Operating temperature (°C)	10~30
Power supply (90-264VAC)	PSU-H-LED
Expected lifetime (hours)	10000
Warranty period	1 year



MIL-W-2796	PSU-H-LED
 <p>333(L)×140(W) ×125(H) mm<sup>3</sup>, 6.1 kg</p>	 <p>268 (L) ×145(W) ×106 (H) mm<sup>3</sup>, 2.6 kg</p>