

MRL-FN-669/1~200mW



**LD PUMPED ALL-SOLID-STATE RED LASER AT 669nm**

DPSS red laser at 669nm is made features of ultra compact, long lifetime and easy operating, which is used in measurement, medical treatment, scientific research, etc.

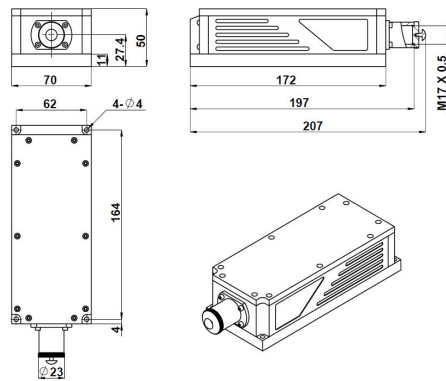


SPECIFICATIONS

Wavelength (nm)	669 ± 1
Operating mode	CW
Output power (mW)	>10, 50, 100, ..., 200
Transverse mode	Near TEM <sub>00</sub>
Power stability (rms, over 4 hours)	<3%, <5%, <10%
Beam divergence, full angle (mrad)	<2
Beam diameter at the aperture (mm)	~2
Beam height from base plate (mm)	27.4
Polarization ratio	>100:1 Horizontal ± 5 degree (Vertical Optional)
Warm-up time (minutes)	<10
Operating temperature (°C)	10~35
Power supply (90-264VAC)	PSU-H-LED
Expected lifetime (hours)	10000
Warranty period	1 year

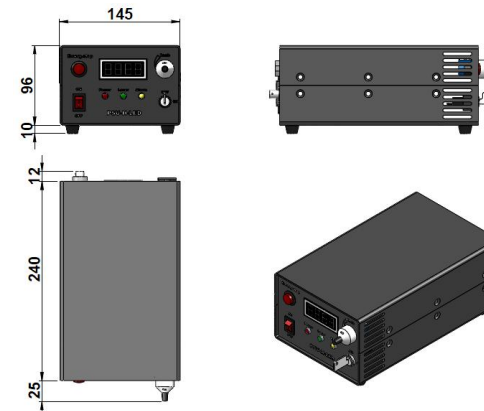


MRL-FN-669



197(L)×70(W)×50(H) mm<sup>3</sup>, 1.5 kg

PSU-H-LED



277 (L) × 145(W) × 106 (H) mm<sup>3</sup>, 2.6 kg