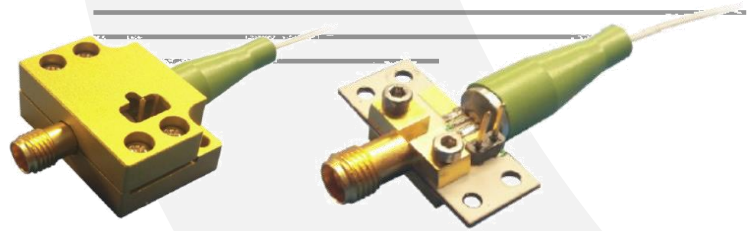




# PD-40-MM



## DEVICE 40 GHz Linear InGaAs PIN Photodetector, Multimode Fiber Type

### OVERVIEW

The Optilab PD-40-MM is a highly linear, 40 GHz bandwidth InGaAs PIN photodetector that is ideal for use in O/E front-ends requiring wide band frequency response. The coplanar waveguide photodiode design optimizes speed and sensitivity for the 1260 nm through 1610 nm wavelength range, and assures a 40 GHz frequency response necessary for digital and analog applications. The front-illuminated mesa-structured PIN design allows a high input power level of up to 10 mW. The PD-40-MM features 50/125  $\mu$  m fiber type, available in a standard 2-pin package with K-connector output for ease of assembly, and can be ordered with or without the external protective housing. Contact Optilab for more information.

### FEATURES

- Wide bandwidth 60 KHz to 40 GHz
- 50/125  $\mu$  m Multimode fiber type
- Highly Linear to 10 mW+ input power
- Operating Temp. from -10°C to +50°C
- High Current Handling up to 35 mA
- Flat frequency response, +/- 1 dB
- Useful Spectral Range 850 nm – 1650 nm
- 1 year warranty standard

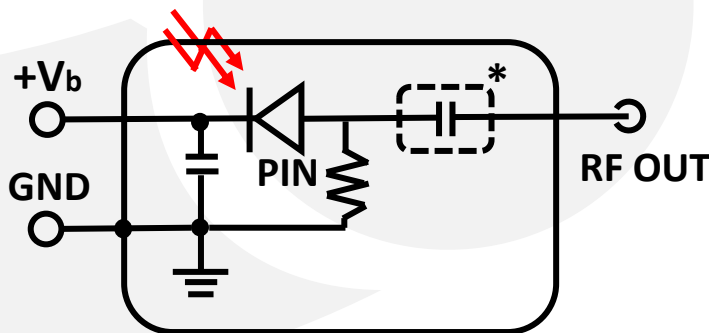
### USE IN

- Analog RF over Fiber
- Optically Amplified Systems
- RZ and NRZ up to 40 Gb/s
- LIDAR Measurements
- Coherent Lightwave Systems
- Front-End O/E Converter for Test Instruments

### PD-40-MM-x-yy

	Housing Type		Coupling
x	A: No housing (default); C: External Housing	yy	DC : DC Coupled AC : AC Coupled

### FUNCTIONAL DIAGRAM



\*Optional DC Block for AC Coupled Version





# PD-40-MM

## SPECIFICATIONS

Optimized Operating Wavelength	1260 nm to 1610 nm
Useful Operating Wavelength	850 nm to 1650 nm
Optical Input Level	10 mW max.
S21 3 dB Bandwidth	31 GHz min., 33 GHz typ.
S22 Characteristics	< -10 dB @ 30 GHz
Responsivity	0.55 A/W @ 1550 nm min., 0.35 A/W @ 850 nm typ.
Dark Current @ 23°C, 5 V	10 nA typ., 100 nA max.
Optical Return Loss	-30 dB typ.
Optical PDL @ 1550 nm	0.05 dB max.
Optical Fiber	50/125 um multimode
Bias Voltage	5 V typ.
Impedance	50 Ω
Coupling	AC-Coupled (DC Coupled Optional)

## GENERAL

Useful Bandwidth	60 KHz to 40 GHz (AC Coupled)
Ripple over any 1 GHz	± 1.0 dB max.
Group Delay	± 7.0 ps
2 <sup>nd</sup> Harmonics Distortion	-70.0 dBc max.
3 <sup>rd</sup> Harmonics Distortion	-75.0 dBc max.

## ANALOG

Sensitivity @ 10 Gb/s	-19.0 dBm
Receiving Bandwidth	Up to 40 Gb/s
Data Format	RZ, NRZ

## DIGITAL

SFDR	113 dB Hz <sup>2/3</sup>
Link Loss	-25 dB @ 10 dBm Optical Input

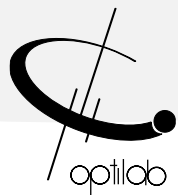
## LINK PERFORMANCE W/ LT-20

Operating Temperature	-10 °C to +50 °C
Storage Temperature	-40 °C to +75 °C
Operating Humidity	85%
Photodiode Bias Voltage	5 V, ± 1 V DC
Package Type	2-pin module with k-type Female RF connector
Dimensions	30 mm x 20 mm x 14 mm
Fiber Connector	FC/APC
Optical Fiber	50/125 um MMF with 900 mm Tube

## MECHANICAL

PIN Bias Voltage	+2.0 to +7 V
Forward Current	35 mA
Optical Input Power	10 mW
Lead Soldering Temp. (10 s)	250 °C

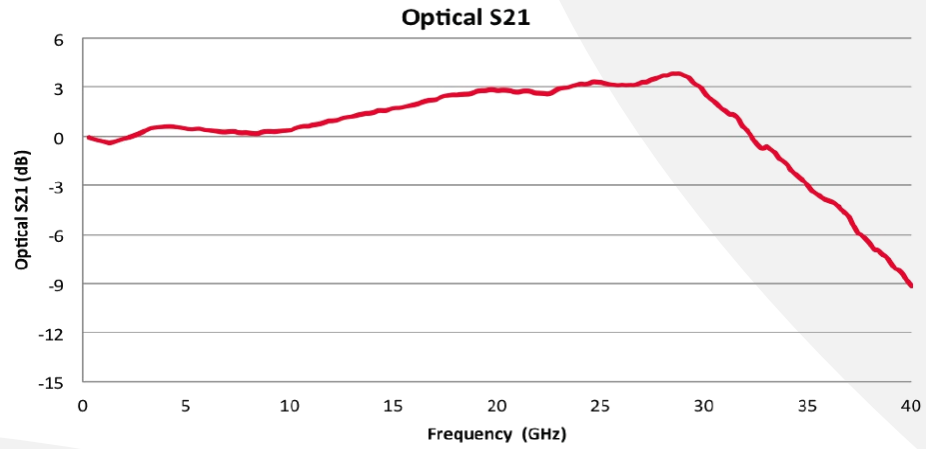
## ABSOLUTE MAXIMUM RATINGS



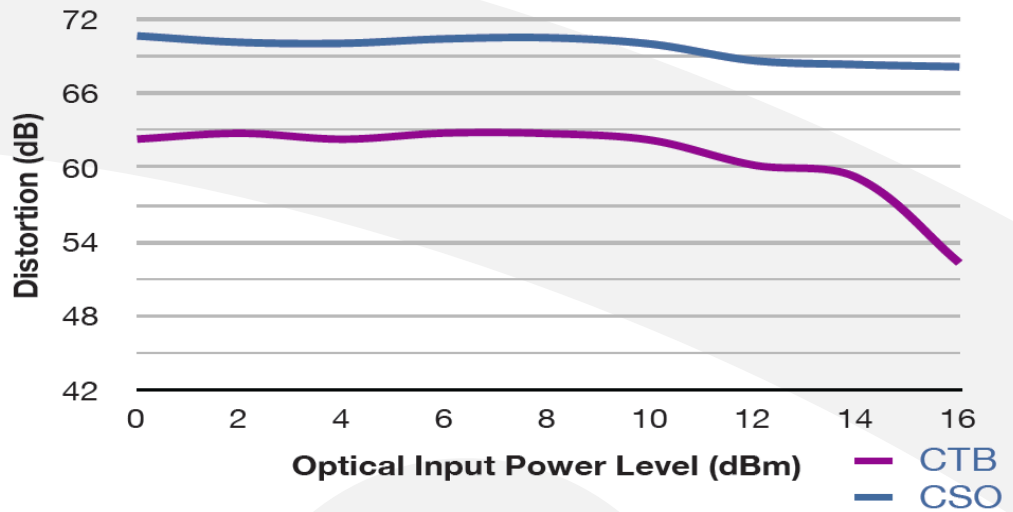


# PD-40-MM

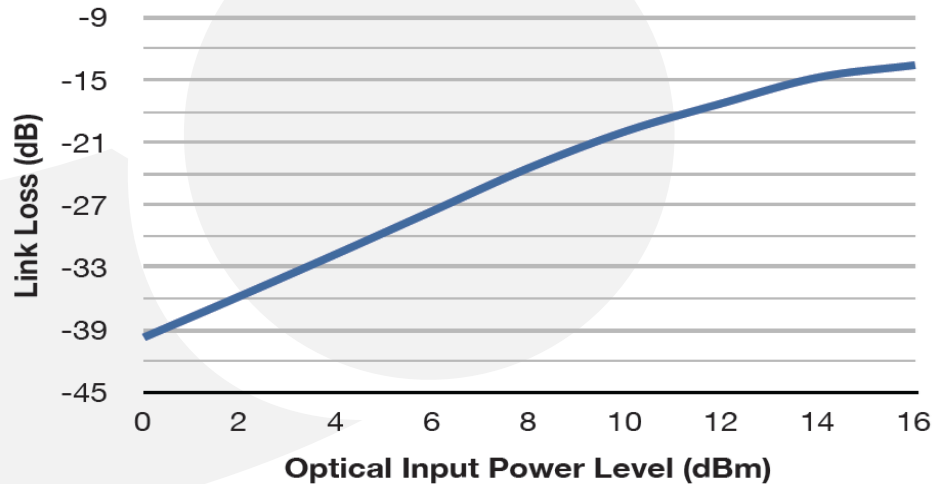
S21 O/E RESPONSE



CSO, CTB LINEARITY MEASUREMENT



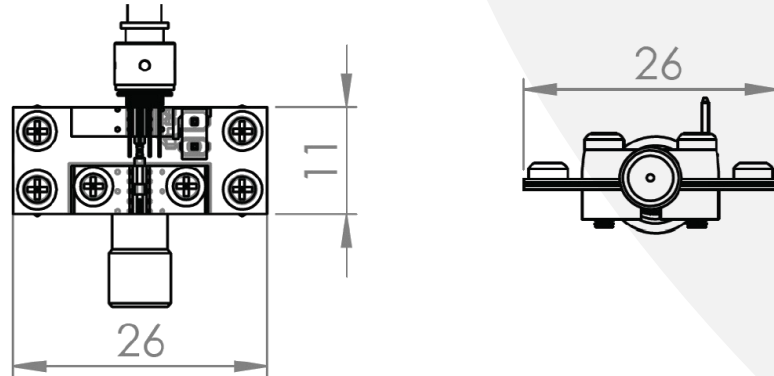
LINK LOSS



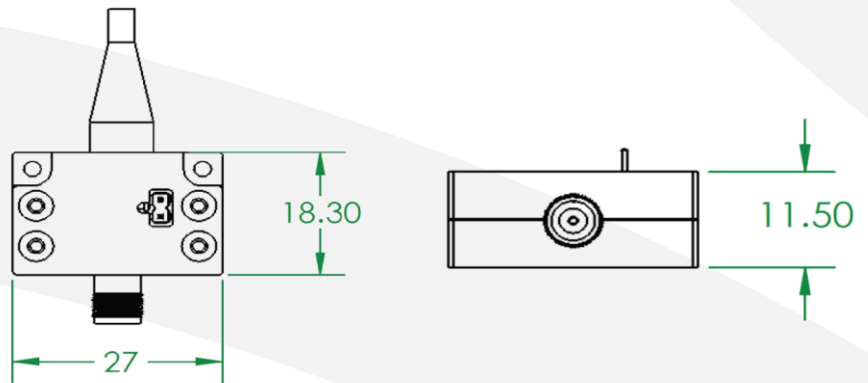


# PD-40-MM

PD-40-MM-A  
MECHANICAL DRAWING



PD-40-MM-C MECHANICAL  
DRAWING W/ EXTERNAL HOUSING



PD-40-MM-M MODULE HOUSING

In addition to the standard PCB and external housing options, Optilab offers a turn-key modular solution with a USB 2.0 interface, which can be operated with any standard PC platform device or with the provided AC/DC adapter. Contact Optilab for more information.



- All measurements are in Metric
- External housing is for Mechanical Protection Only
- Legacy housing information available upon request

