

## EOLX-1696-14XX series

**XFP Single-Mode for 10GbE/10GFC/SDH/SONET  
Duplex XFP Transceiver  
RoHS6 Compliant**

### Features

- ◆ Supports 9.95Gb/s to 11.1Gb/s bit Rates
- ◆ Hot-Pluggable XFP Footprint
- ◆ 14dB Power Budget
- ◆ Temperature-Stabilized DWDM Rated EML Transmitter
- ◆ 100GHz ITU Grid, C Band
- ◆ Duplex LC Connector
- ◆ Built-in Digital Diagnostic Functions
- ◆ Support Line Side Loopback
- ◆ Support XFI Loopback
- ◆ Auxiliary 1 Monitoring Laser Temperature
- ◆ Auxiliary 2 Monitoring 5V Supply
- ◆ Operating Case Temperature:  
Standard: 0°C to 70°C  
Extended: -20°C to 75°C



### Applications

- ◆ 10GBASE-ER/EW Ethernet
- ◆ 1200-SM-LL-L 10G Fiber Channel
- ◆ SONET OC-192 IR-2
- ◆ SDH STM S-64.2b
- ◆ SONET OC-192 IR-3
- ◆ SDH STM S-64.3b
- ◆ ITU-T G.709

### Ordering Information

Part No.	Data Rate	Laser	Power Budget	Temp.	Optical Interface
EOLX-1696-14XX*	10Gbps	EML EA	14dB	Standard	LC
EOLX-1696-14XXE	10Gbps	EML EA	14dB	Extended	LC

\*Note1: Standard version.

\*The product image only for reference purpose.

**XX- Channel refers to the following table:**

Channel	Part NO.	Frequency (THz)	Center Wavelength (nm)
17*	EOLX-1696-1417	191.7	1563.86
18*	EOLX-1696-1418	191.8	1563.05
19*	EOLX-1696-1419	191.9	1562.23
20*	EOLX-1696-1420	192.0	1561.42

21	EOLX-1696-1421	192.1	1560.61
22	EOLX-1696-1422	192.2	1559.79
23	EOLX-1696-1423	192.3	1558.98
24	EOLX-1696-1424	192.4	1558.17
25	EOLX-1696-1425	192.5	1557.36
26	EOLX-1696-1426	192.6	1556.55
27	EOLX-1696-1427	192.7	1555.75
28	EOLX-1696-1428	192.8	1554.94
29	EOLX-1696-1429	192.9	1554.13
30	EOLX-1696-1430	193.0	1553.33
31	EOLX-1696-1431	193.1	1552.52
32	EOLX-1696-1432	193.2	1551.72
33	EOLX-1696-1433	193.3	1550.92
34	EOLX-1696-1434	193.4	1550.12
35	EOLX-1696-1435	193.5	1549.32
36	EOLX-1696-1436	193.6	1548.51
37	EOLX-1696-1437	193.7	1547.72
38	EOLX-1696-1438	193.8	1546.92
39	EOLX-1696-1439	193.9	1546.12
40	EOLX-1696-1440	194.0	1545.32
41	EOLX-1696-1441	194.1	1544.53
42	EOLX-1696-1442	194.2	1543.73
43	EOLX-1696-1443	194.3	1542.94
44	EOLX-1696-1444	194.4	1542.14
45	EOLX-1696-1445	194.5	1541.35
46	EOLX-1696-1446	194.6	1540.56
47	EOLX-1696-1447	194.7	1539.77
48	EOLX-1696-1448	194.8	1538.98
49	EOLX-1696-1449	194.9	1538.19
50	EOLX-1696-1450	195.0	1537.40
51	EOLX-1696-1451	195.1	1536.61
52	EOLX-1696-1452	195.2	1535.82
53	EOLX-1696-1453	195.3	1535.04
54	EOLX-1696-1454	195.4	1534.25
55	EOLX-1696-1455	195.5	1533.47
56	EOLX-1696-1456	195.6	1532.68
57	EOLX-1696-1457	195.7	1531.90
58	EOLX-1696-1458	195.8	1531.12
59	EOLX-1696-1459	195.9	1530.33
60*	EOLX-1696-1460	196.0	1529.55
61*	EOLX-1696-1461	196.1	1528.77

\*Note2: This channel is supported with limited availability; please contact Eoptolink for further details.

**Regulatory Compliance\***

Product Certificate	Certificate Number	Applicable Standard
TUV	R50135086	EN 60950-1:2006+A11+A1+A12+A2
		EN 60825-1:2014
		EN 60825-2:2004+A1+A2
UL	E317337	UL 60950-1
		CSA C22.2 No. 60950-1-07
EMC CE	AE 50285865 0001	EN 55022:2010
		EN 55024:2010
FCC	WTF14F0514417E	47 CFR PART 15 OCT., 2013
FDA	/	CDRH 1040.10
ROHS	/	2011/65/EU

\*The above certificate number updated to June 2014, because some certificate will be updated every year, such as FCC, FDA and ROHS. For the latest certification information, please check with Eoptolink.

**Absolute Maximum Ratings**

Parameter	Symbol	Min	Typ.	Max	Unit
Maximum Supply Voltage 1	Vcc3	-0.5		4.0	V
Maximum Supply Voltage 2	Vcc5	-0.3		6.0	V
Storage Temperature	T <sub>s</sub>	-40		85	°C

**Recommend Operating Condition**

Parameter	Symbol	Min	Typ.	Max	Units
Supply Voltage 1	Vcc3	3.13	3.3	3.45	V
Supply Voltage 2	Vcc5	4.75	5	5.25	V
Case Operating Temperature	T <sub>C</sub> , EOLX-1696-14XX	0		70	°C
	T <sub>C</sub> , EOLX-1696-14XXE	-20		75	°C

**Electrical Characteristics**

Parameter	Symbol	Min	Typ.	Max	Unit	Note
Main Supply Voltage	Vcc5	4.75		5.25	V	
Supply Voltage #2	Vcc3	3.13		3.45	V	
Supply Current – Vcc5 supply	Icc5			500	mA	
Supply Current – Vcc3 supply	Icc3			750	mA	
<b>Transmitter</b>						
Input Differential Impedance	R <sub>in</sub>		100		Ω	1
Differential Data Input Swing	V <sub>in, pp</sub>	120		820	mV	
Transmit Disable Voltage	V <sub>D</sub>	2.0		Vcc	V	
Transmit Enable Voltage	V <sub>EN</sub>	GND		GND+0.8	V	
Transmit Disable Assert Time				10	μs	
<b>Receiver</b>						

Differential Data Output Swing	V <sub>out,pp</sub>	340	650	850	mV	
Data Output Rise Time	Tr			38	ps	2
Data Output Fall Time	Tf			38	ps	2
LOS Fault	V <sub>LOS Fault</sub>	V <sub>CC</sub> – 0.5		V <sub>CCHOST</sub>	V	3
LOS Normal	V <sub>LOS Normal</sub>	GND		GND+0.5	V	3
Power Supply Noise Rejection	PSNR	Compliant to Section 2.7.1 of XFP MSA				

### Notes:

1. Internal AC coupling.
2. 20% – 80%
3. Loss Of Signal is open collector to be pulled up with a 4.7k – 10kohm resistor to 3.15 – 3.6V. Logic 0 indicates normal operation; logic 1 indicates no signal detected.

## Optical Characteristics

Please note that the transmitter becomes operational within 60 seconds of power-up. This is due to the time required for the EML to reach its optimum operating temperature.

Parameter	Symbol	Min	Typ	Max	Unit	Ref.
<b>Transmitter</b>						
Output Opt. Pwr: 9/125 SMF	P <sub>out</sub>	-1		+4	dBm	
Center Wavelength Spacing			100		GHz	
			0.8		nm	
Optical Wavelength-EOL	λ <sub>c</sub>	X-100	X	X+100	pm	
Transmitter Center Wavelength –BOL	λ <sub>c</sub>	X-40	X	X+40	pm	
Optical Extinction Ratio	ER	8.2	9		dB	
Transmitter and Dispersion Penalty	TDP			2	dB	
Side Mode Suppression Ratio	SMSR	35			dB	
TX Jitter Generation (peak-to-peak)	TX <sub>j</sub>			0.1	UI	
TX Jitter Generation (RMS)	TX <sub>jRMS</sub>			0.01	UI	
<b>Receiver</b>						
Receiver Sensitivity @ 10.7Gb/s	P <sub>min</sub>			-15	dBm	
Maximum Input Power	P <sub>max</sub>	+0.5			dBm	
Optical Center Wavelength	λ <sub>c</sub>	1270		1600	nm	
Path Penalty				2	dB	
Receiver Reflectance	R <sub>rx</sub>			-27	dB	
LOS De-Assert	LOSD			-17	dBm	
LOS Assert	LOSA	-29			dBm	
LOS Hysteresis		1			dB	

**Pin Descriptions**

Pin	Logic	Symbol	Name/Description	Ref.
1		GND	Module Ground	1
2		VEE5	Optional –5.2 Power Supply – Not required	
3	LVTTL-I	Mod-Desel	Module De-select; When held low allows the module to respond to 2-wire serial interface commands	
4	LVTTL-O	Interrupt	Interrupt (bar); Indicates presence of an important condition which can be read over the serial 2-wire interface	2
5	LVTTL-I	TX_DIS	Transmitter Disable; Transmitter laser source turned off	
6		VCC5	+5 Power Supply	
7		GND	Module Ground	1
8		VCC3	+3.3V Power Supply	
9		VCC3	+3.3V Power Supply	
10	LVTTL-I	SCL	Serial 2-wire interface clock line	2
11	LVTTL-I/O	SDA	Serial 2-wire interface data line	2
12	LVTTL-O	Mod_Abs	Module Absent; Indicates module is not present. Grounded in the module.	2
13	LVTTL-O	Mod_NR	Module Not Ready;	2
14	LVTTL-O	RX_LOS	Receiver Loss of Signal indicator	2
15		GND	Module Ground	1
16		GND	Module Ground	1
17	CML-O	RD-	Receiver inverted data output	
18	CML-O	RD+	Receiver non-inverted data output	
19		GND	Module Ground	1
20		VCC2	+1.8V Power Supply – Not required	
21	LVTTL-I	P_Down/RST	Power Down; When high, places the module in the low power stand-by mode and on the falling edge of P_Down initiates a module reset	
			Reset; The falling edge initiates a complete reset of the module including the 2-wire serial interface, equivalent to a power cycle.	
22		VCC2	+1.8V Power Supply – Not required	
23		GND	Module Ground	1
24	PECL-I	RefCLK+	Reference Clock non-inverted input, AC coupled on the host board – Not required	3
25	PECL-I	RefCLK-	Reference Clock inverted input, AC coupled on the host board – Not required	3
26		GND	Module Ground	1
27		GND	Module Ground	1

28	CML-I	TD-	Transmitter inverted data input	
29	CML-I	TD+	Transmitter non-inverted data input	
30		GND	Module Ground	1

**Notes:**

1. Module circuit ground is isolated from module chassis ground within the module.
2. Open collector; should be pulled up with 4.7k – 10k ohm on host board to a voltage between 3.15V and 3.6V.
3. A Reference Clock input is not required.

**Digital Diagnostic Functions**

Eoptolink’s EOLX-1696-14XX Small Form Factor 10Gbps (XFP) transceivers are compliant with the current XFP Multi-Source Agreement (MSA) Specification Rev 4.5.

As defined by the XFP MSA, Eoptolink XFP transceivers provide digital diagnostic functions via a 2-wire serial interface, which allows real-time access to the following operating parameters:

- ◆ Transceiver temperature
- ◆ Laser temperature
- ◆ Laser bias current
- ◆ Transmitted optical power
- ◆ Received optical power
- ◆ Transceiver supply voltage

It also provides a sophisticated system of alarm and warning flags, which may be used to alert end-users when particular operating parameters are outside of a factory-set normal range.

The operating and diagnostics information is monitored and reported by a Digital Diagnostics Transceiver Controller inside the transceiver, which is accessed through the 2-wire serial interface. When the serial protocol is activated, the serial clock signal (SCL pin) is generated by the host. The positive edge clocks data into the XFP transceiver into those segments of its memory map that are not write-protected. The negative edge clocks data from the XFP transceiver. The serial data signal (SDA pin) is bi-directional for serial data transfer. The host uses SDA in conjunction with SCL to mark the start and end of serial protocol activation. The memories are organized as a series of 8-bit data words that can be addressed individually or sequentially. The 2-wire serial interface provides sequential or random access to the 8 bit parameters, addressed from 000h to the maximum address of the memory.

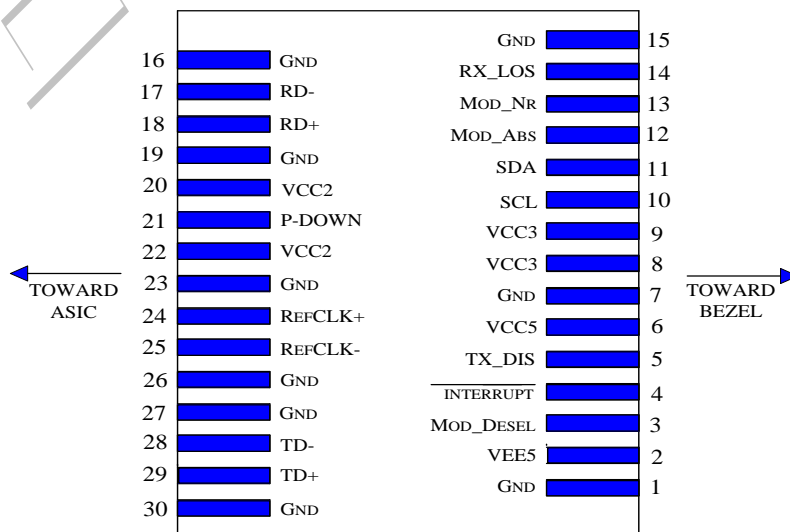
**Table 1 Serial ID Memory Contents (Table 01h)**

Addr.	Size (Bytes)	Name of Field	Hex	Description
128	1	Identifier	06	XFP
129	1	Ext. Identifier	90	power consumption < 3.5W, no Ref Colck required
130	1	Connector	07	LC Connector
131~138	8	Transceiver	22 20 00 00 00 20 00 00	Transmitter Code
139	1	Encoding	F0	64B/66B, 8B/10B,SONET Scrambled, NRZ
140	1	BR-Min	63	9.9Gbps
141	1	BR-Max	6F	11.1Gbps
142	1	Length (SMF)km	XX <sup>(note)</sup>	
143	1	Length (E-50µm)	00	
144	1	Length (50µm)	00	
145	1	Length(62.5µm)	00	
146	1	Length (Copper)	00	Not compliant
147	1	Device Tech	74	1550 EML, PIN detector
148~163	16	Vendor name	XX XX XX XX XX XX XX XX XX XX XX XX XX XX XX XX <sup>(note)</sup>	Vendor name (ASCII)
164	1	CDR Support	F9	CDR supports 9.953G ~ 11.1G
165~167	3	Vendor OUI	XX XX XX <sup>(note)</sup>	
168~183	16	Vendor PN	XX XX XX XX XX XX XX XX XX XX XX XX XX XX XX XX <sup>(note)</sup>	
184~185	2	Vendor rev	XX XX XX XX <sup>(note)</sup>	
186~187	2	Wavelength	XX XX <sup>(note)</sup>	Centre Wavelength

		Tolerance		
188~189	2	Wavelength Tolerance	00 14	+/- 0.1 nm
190	1	Max Case Temp	XX <sup>(note)</sup>	XX
191	1	CC_BASE	XX <sup>(note)</sup>	Check sum of Byte 128 – 190
192~195	4	Power Supply	XX XX XX XX <sup>(note)</sup>	
196~211	16	Vendor SN	XX XX XX XX XX XX XX XX XX XX XX XX XX XX XX XX <sup>(note)</sup>	
212~219	8	Date Code	XX XX XX XX XX XX XX XX <sup>(note)</sup>	
220	1	Diagnostic Monitoring Type	08	No BER Support, Average Power
221	1	Enhanced Options	60	Optional Soft TX_DISABLE implemented, Optional Soft P_down implemented
222	1	Aux Monitoring	46	AUX1: Laser Temperature AUX2: 5V Power Supply
223	1	CC_EXT	XX <sup>(note)</sup>	
224~255	32	Vendor Specific	Reserved	Check sum for Extended ID Field.

NOTE: "XX" is referred to be variable.

## Host board Connector Pinout



**Diagram of Host Board Connector Block Pin Numbers and Name**



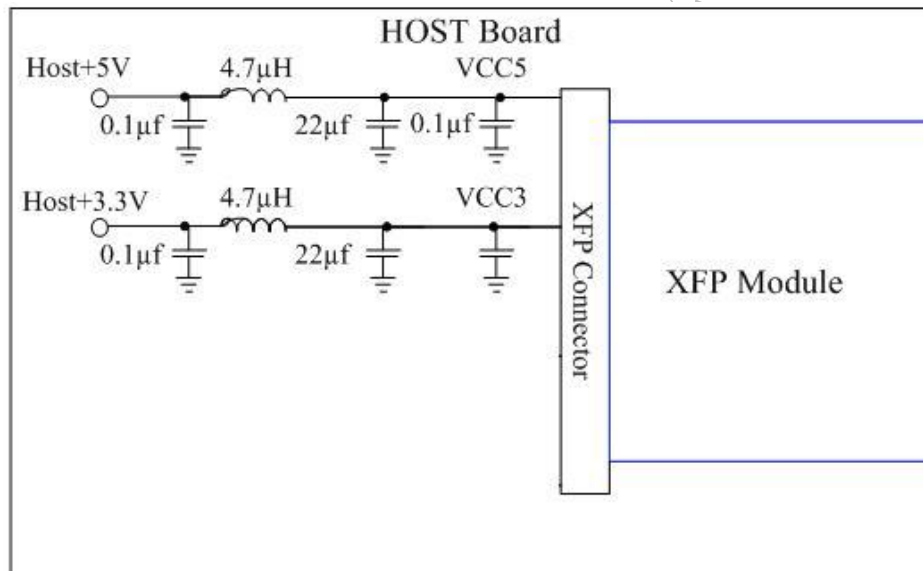
## General Specifications

Parameter	Symbol	Min	Typ.	Max	Units	Ref.
Bit Rate	BR	9.95		11.1	Gbps	1
Bit Error Ratio	BER			10 <sup>-12</sup>		2

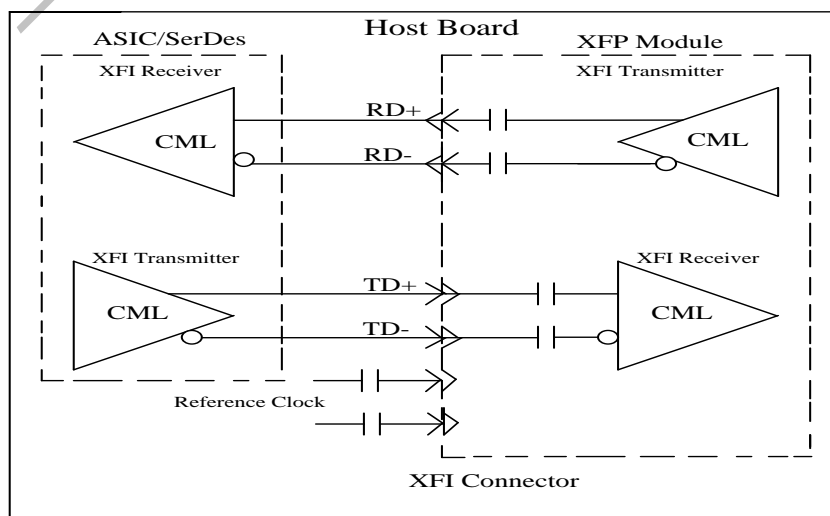
### Notes:

1. SONET OC-192 IR-2, OC-192 IR-3, ITU-T G.709, 10GBASE-ER/EW with FEC, 10G Fiber Channel
2. Tested with a 2<sup>31</sup> – 1 PRBS

## Recommended Host Board Power Supply Circuit

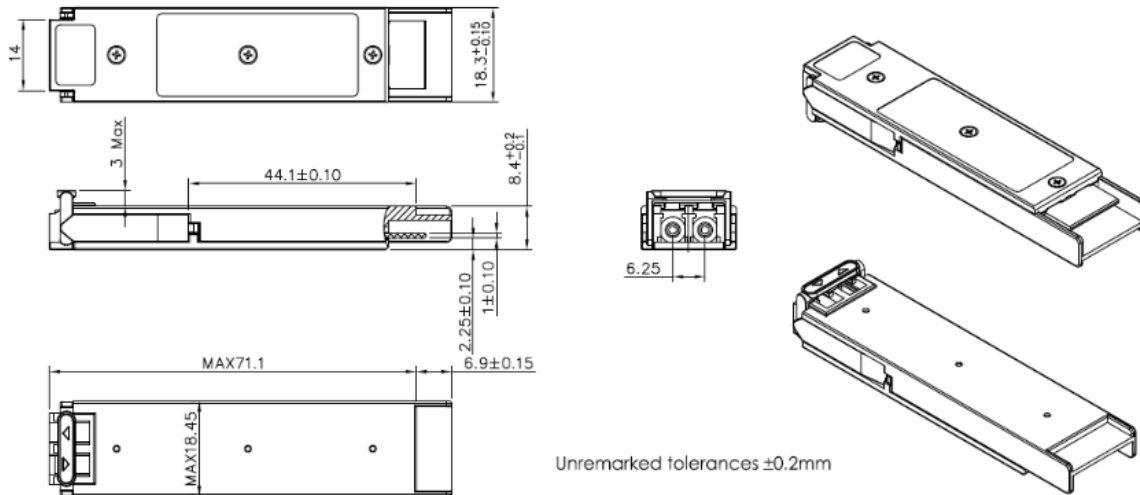


## Recommended High-Speed Interface Circuit



**Mechanical Specifications**

Eoptolink's XFP transceivers are compliant with the dimensions defined by the XFP Multi-Sourcing Agreement (MSA).



\*This 2D drawing only for reference, please check with Eoptolink before ordering.

**Eye Safety**

This single-mode transceiver is a Class 1 laser product. It complies with IEC-60825 and FDA 21 CFR 1040.10 and 1040.11. The transceiver must be operated within the specified temperature and voltage limits. The optical ports of the module shall be terminated with an optical connector or with a dust plug.

**Obtaining Document**

You can visit our website:

<http://www.eoptolink.com>

Or contact Eoptolink Technology Inc., Ltd. Listed at the end of the documentation to get the latest documents.

**Revision History**

Revision	Initiated	Reviewed	Approved	DCN	Release Date
V3.a	Kelly.Cao			Delete distance, add feature.	May 27, 2011
V4.0	Alex/Townie	Kelly		Update photo	Aug 10, 2011
V4.a	Kelly			Update supply circuit.	Sep 19, 2011
V4.b	Angela	Abby		Update LOS Deassert/Assert.	Sep 6, 2012

V4.c	YI.wan/Abby	Kelly		Update some mistakes	Feb 25, 2013
V4.d	Fing/Abby	JP.Jiang/Kelly Jason/Walt		Update temperature	Sep 23, 2013
V4.e	Neal	Kelly/ Angela/Fing/ Elaine/JP/ Eason/Torres/ Chao.Wang		Update Temp, 2D Mechanical Specifications, the address and the contact information	Aug 25, 2017

**Notice:**

Eoptolink reserves the right to make changes to or discontinue any optical link product or service identified in this publication, without notice, in order to improve design and/or performance. Applications that are described herein for any of the optical link products are for illustrative purposes only. Eoptolink makes no representation or warranty that such applications will be suitable for the specified use without further testing or modification.

**Contact:**

Add: No.127 West Wulian Street, Gongxing Town, Shuangliu district, Chengdu City, Sichuan, China.

Tel: (+86) 028-67087999

Fax: (+86) 28-67087979-8010

Postal: 610213

E-mail:sales@eoptolink.com

<http://www.eoptolink.com>