

S-Band Hub-mount SSPA

SapphireBlu Line

1250W AWMA-S™
Sierra series



Features

- Full range of output power up to 1250W in a single package
- High linearity
- Unconditionally stable at any load VSWR
- Redundant ready with no external controller
- M&C capability via RS485
- Infinite VSWR protection with automatic high reflected power shutdown
- Forward and Reflected power monitoring
- Output Sample Port
- Redundant Systems shipped fully tested, assembled and tested
- Weatherproof construction
- CE Marking

Overview

Advantech Wireless S-Band line of Amplifiers is intended for satellite up-link applications. The design of these units is based on Advantech Wireless proven techniques resulting in high linearity and operating efficiency. Conservative thermal design contributes to the high MTBF for these units. Full monitor and control is provided via the serial or Ethernet ports. Special features such as automatic over-temperature shutdown and high-reflected power protection contribute to a trouble free operation.

The AWMA-S Sierra Package Series is available in output power of 1250W. Higher power operation may be provided using external phase combining techniques offering an output power up to 1800W. Please contact factory for more details.

The full set of accessories made available will facilitate the integration of these units in any application.

Options

- 1:1 or 1:2 Redundant configuration
- Phase combined systems for higher power
- Ethernet Port

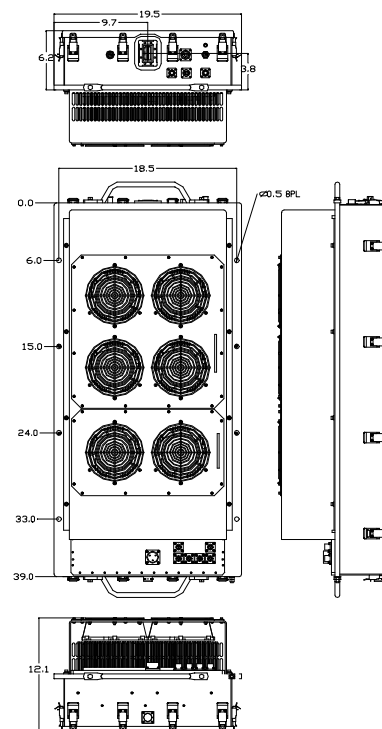


Table A

Band	RF Band (GHz)	Output Power (W)
S	2.025 – 2.120	1250
Extended S	2.000-2160	1250

**Other frequency sub-bands are available. Please consult factory.*

Accessories

- Mounting kits
- External Receive Reject Filter
- Remote M&C panel
- Handheld terminal

Redundancy

Advantech Wireless S-Band line of Amplifiers may be configured to operate in 1:1 or 1:2 redundancy mode. No extra controller is required for the redundancy operation as the built-in controller in each unit provides this function. For 1:1 redundancy operation, in addition to the two units (operating and standby) a special redundancy kit is required. For 1:2 redundancy operation another redundancy kit is needed in addition to the three units. The kits include the switches, terminations, splitter, interconnecting cable assemblies and mounting frames.

All redundancy systems are delivered fully assembled, integrated, and tested.

S-Band Hub-mount SSPA 1250W AWMA-S Sierra series

Technical Specifications

Table B

SSPA Line							
Rated Power W	Psat dBm	P1dB dBm	Gain (dB) (minimum)	Power consumption W (nominal)	Weight	Dimensions	Voltage
1250W	+61	+60	+70	3800W	188 lbs (85 kg)	39"x18.5"x12.1" 990x470x307 mm	220V

General Specifications			
Operating Frequency	See table A		
Output Power	See table B		
Gain	See table B		
Gain adjustment range	20 dB in 0.1 dB step size		
Gain flatness	±1.5 dB max.		
Gain slope over 10 MHz	±0.15 dB max.		
Gain variation over temperature	± 1.5 dB max		
Input Impedance and VSWR	50 Ω	1.3:1	
Output Impedance/VSWR	50 Ω	1.3:1	
Noise power density	-80 dBm/Hz max in TX band -85 dBm/Hz max in RX band (without optional filter)		
Spurious at P1dB	-60 dBc max		
Harmonics	-60 dBc at P1dB		
AM/PM conversion	2.5°/dB at P1dB		
Third order intermod (2- tones)	-24 dBc at 3 dB total back-off		
Group delay	Linear	0.02 nsec/MHz max	
	Parabolic	0.003 nsec/MHz ² max	
	Ripple	1 nsec p-p max	
Residual AM Noise	0 – 10 kHz	-45 dBc	
	10 kHz – 500 kHz	-20 (1.25 + log F) dBc	F = Frequency in kHz
	500 kHz – 1 MHz	-80 dBc	
Weight & Dimensions	See table B		
Input voltage	220 VAC, 47-63 Hz		
Interfaces	Input (RF or L-Band)	N type female	
	Output Sample Port	N type female	
	RF output	7/16 DIN	
	AC line	MS3102 type	
	RS232 serial port	MS3112E10-6P	
	RS485/Ethernet	MS3112 type	
Environmental	Temperature	Operating -30°C to +55 °C	Option 1 -40°C to +55 °C Option 2 -50°C to +50 °C
		Storage -55°C to +85 °C	
	Humidity	100% condensing	
	Altitude	10,000' AMSL, derated by 2 °C/1000' from AMSL	

Ref.: PB-AWMA-S-1250-23054

NORTH AMERICA

USA
info.usa@advantechwireless.com

CANADA
Info.canada@advantechwireless.com

EUROPE

UNITED KINGDOM
info.uk@advantechwireless.com

SOUTH AMERICA

info.latam@advantechwireless.com

BRAZIL
info.brazil@advantechwireless.com

ASIA

info.asia@advantechwireless.com

INDIA
info.india@advantechwireless.com