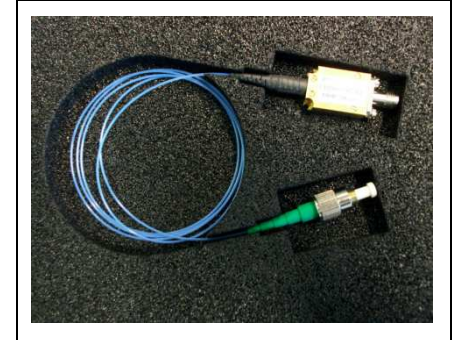


100 Gbit/s VCSEL Multi-Mode Fiber-Coupled Module (850 nm)



Sample image only. Actual product may vary

Product Code: VM100-850M

Product Description

Ultrahigh-speed transmitter module for test purpose with integrated 850nm VCSEL fiber coupled to an OM3 multimode fiber for optical output. The module is designed as engineering sample for high speed test applications. Bitrates beyond 100G have been demonstrated with high order modulations: 4-PAM [1], DMT [2] and multi-CAP [3]. Multi mode and single mode VCSEL versions are available.

Features

- OM3 MMF Pigtail (50 μ m core, 1 m length)
- FC/PC optical output connector
- Anritsu V electrical connector
- Multi Mode and Single Mode VCSEL versions

Applications

- Research and development
- 100G testing (PAM-4, DMT)

Parameter	VM100-850M-MM	VM100-850M-SM
VCSEL type	Multi mode	Single mode
Emission Wavelength	850 nm (available 835 – 865 nm)	850 nm (available 835 – 865 nm)
Data rate	Up to 100 Gbit/s	Up to 100 Gbit/s
Peak Output Power	4 mW	1 mW

All product specifications and descriptions are subject to change without notice.
Please contact our sales department for additional information and to receive a quotation: sales@v-i-systems.com

Datasheet

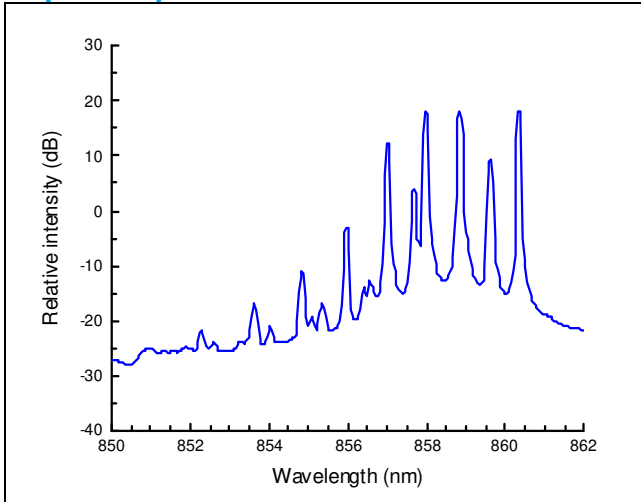
VM100-850M



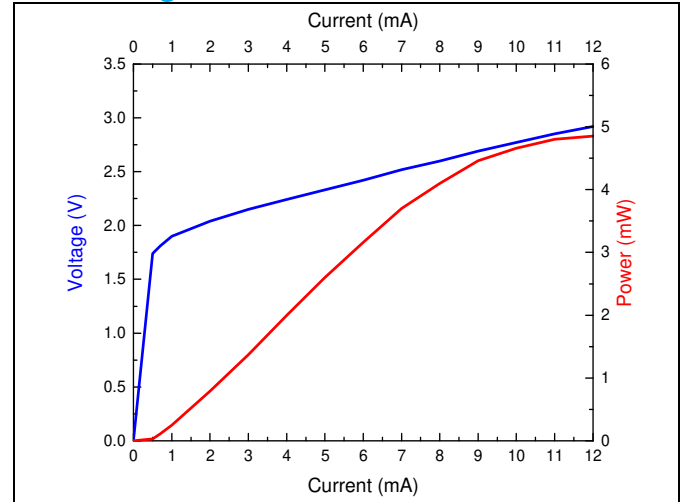
Vertically Integrated Systems

VM100-850M-MM: Multi mode VCSEL version

Optical spectrum

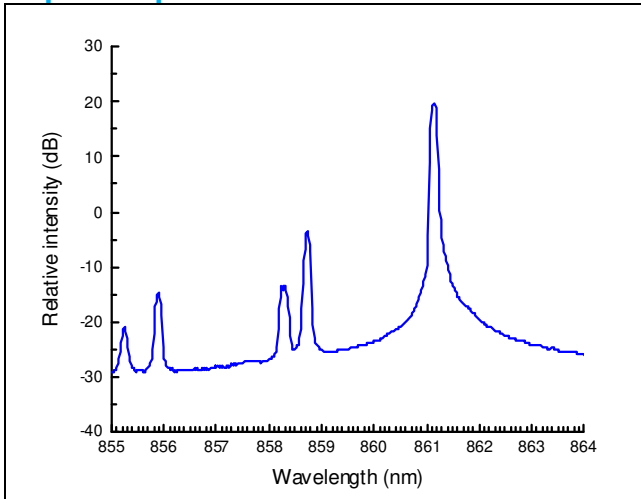


L-I-V Diagram

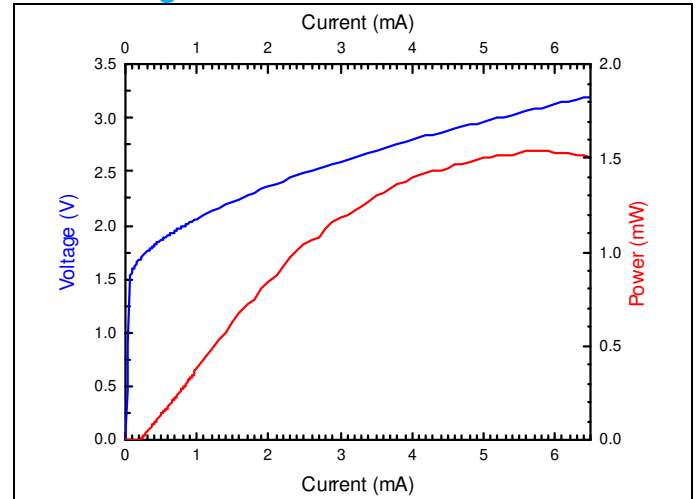


VM100-850M-SM: Single mode VCSEL version

Optical spectrum



L-I-V Diagram



All product specifications and descriptions are subject to change without notice.
Please contact our sales department for additional information and to receive a quotation: sales@v-i-systems.com

www.v-i-systems.com

VI Systems GmbH Hardenbergstrasse 7 D-10623 Berlin

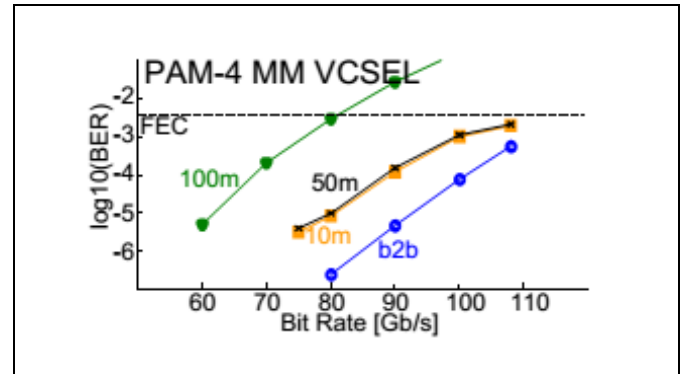
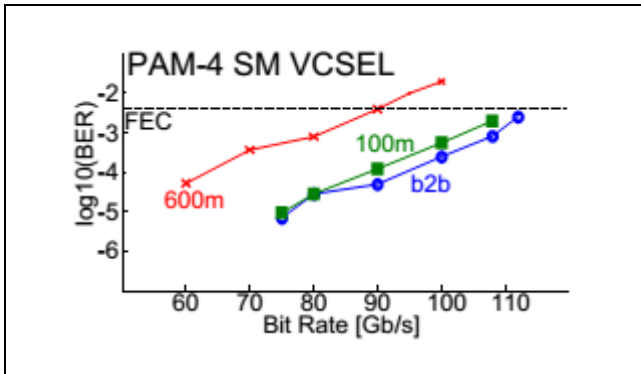
Datasheet

VM100-850M

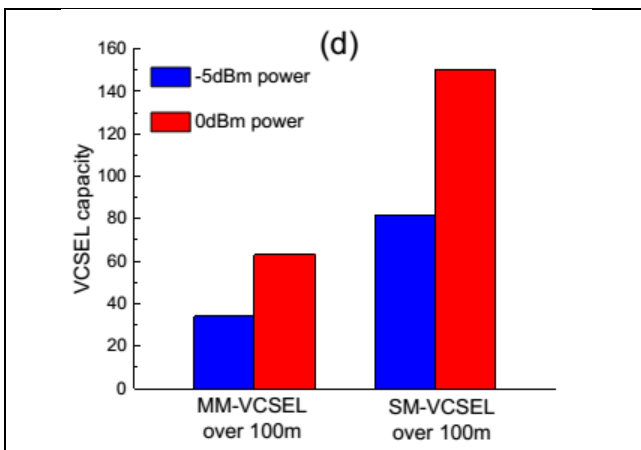


Vertically Integrated Systems

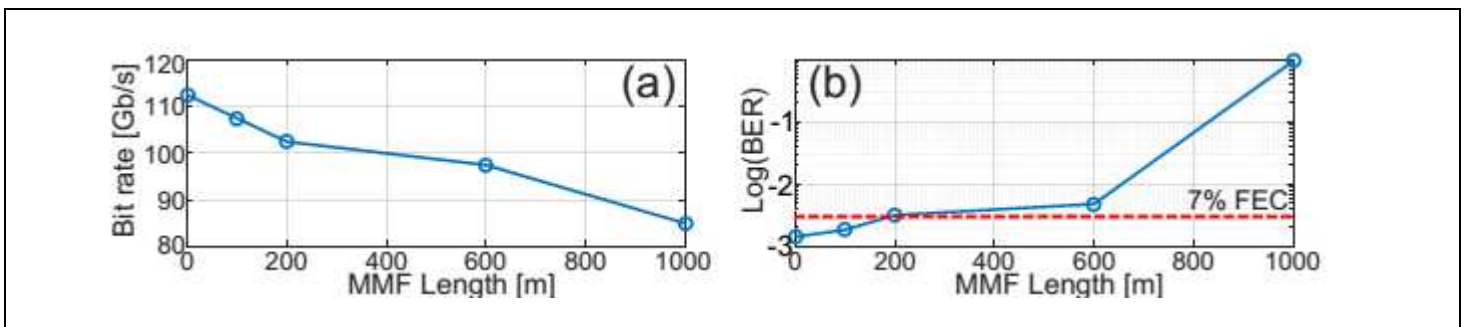
4-PAM [1]



DMT [2]



Multi-CAP [3]



All product specifications and descriptions are subject to change without notice.
Please contact our sales department for additional information and to receive a quotation: sales@v-i-systems.com

www.v-i-systems.com

VI Systems GmbH Hardenbergstrasse 7 D-10623 Berlin

Datasheet

VM100-850M



Vertically Integrated Systems

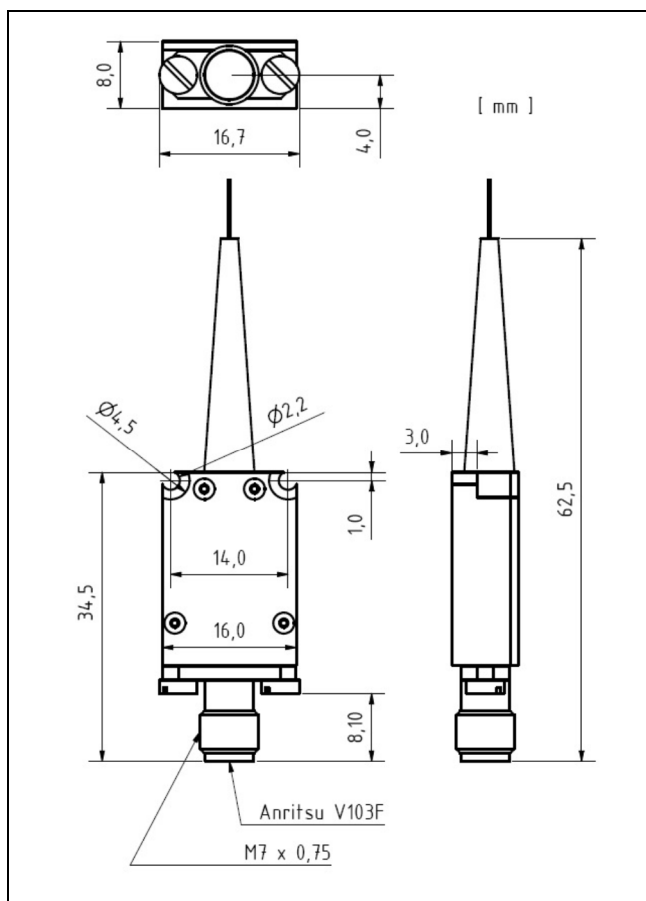
References

[1] G. Stepniak, Ł. Chorchos, M. Agustin, J. Kropp, N.N. Ledentsov, V.A. Shchukin, N. Ledentsov Jr., and J.P. Turkiewicz, "Up to 108 Gb/s PAM 850 nm Multi and Single Mode VCSEL Transmission over 100 m of Multi Mode Fiber", 2016 *The European Conference on Optical Communication (ECOC)*, Düsseldorf, 2016

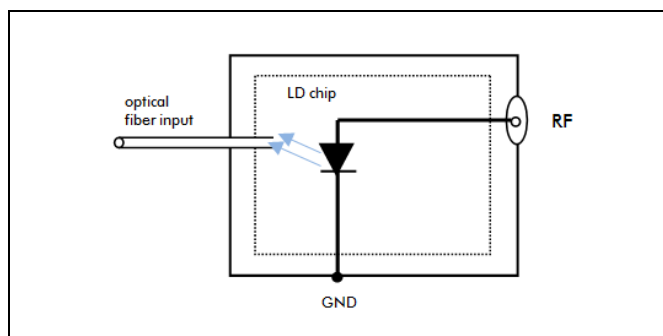
[2] B. Wu, X. Zhou, Y. Ma, J. Luo, K. Zhong, S. Qiu, Z. Feng, Y. Luo, M. Agustin, N. Ledentsov Jr., J. Kropp, V.A. Shchukin, N.N. Ledentsov, I. Eddie, and L. Chao, "Close to 100 Gbps discrete multitoned transmission over 100m of multimode fiber using a single transverse mode 850nm VCSEL," Proc. SPIE 9766, 2016

[3] R. Puerta, M. Agustin, Ł. Chorchos, J. Toński, J.-R. Kropp, N. Ledentsov Jr., N.N. Ledentsov, R. Henker, I. Tafur Monroy, J.J. Vegas Olmos, V.A. Shchukin, and J.P. Turkiewicz "107.5 Gb/s 850 nm multi- and single-mode VCSEL transmission over 10 and 100 m of multi-mode fiber," in Proc. IEEE OFC, Anaheim, CA, USA, 2016, paper Th5B.5.

Mechanical dimensions



Schematic diagram



LASER RADIATION. DO NOT VIEW DIRECTLY WITH OPTICAL INSTRUMENTS
CLASS 1M LASER PRODUCT



VI Systems GmbH

Hardenbergstrasse 7
10623 Berlin

Tel.: +49 30 3083143 30

Fax: +49 30 3083143 59

sales@v-i-systems.com

www.v-i-systems.com

All product specifications and descriptions are subject to change without notice.

Please contact our sales department for additional information and to receive a quotation: sales@v-i-systems.com

www.v-i-systems.com

VI Systems GmbH Hardenbergstrasse 7 D-10623 Berlin