

KR Electronics, Inc.

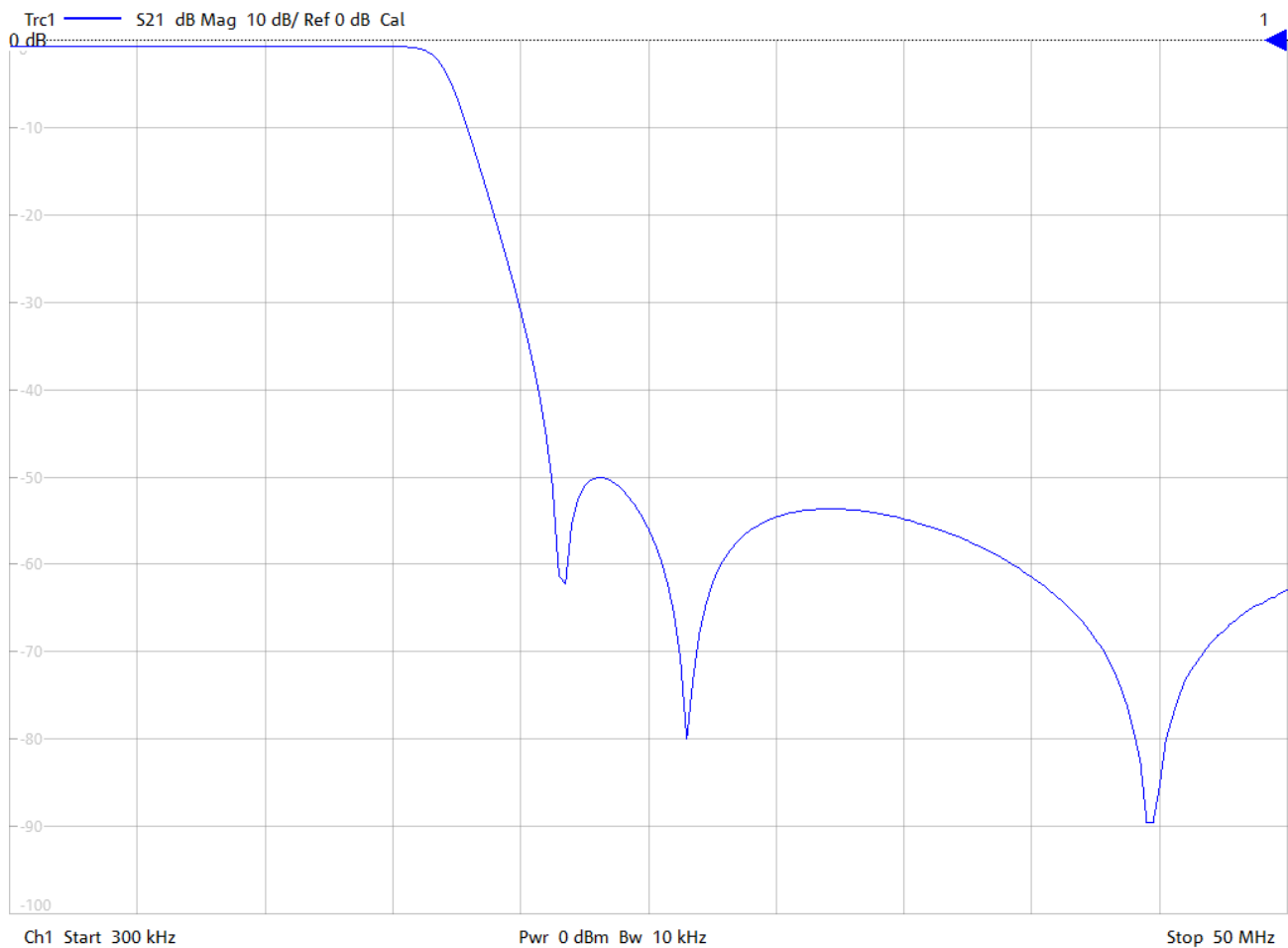
General Description

KR Electronics part number 2378-50-SMA is a 15 MHz Low-pass filter. The filter is group delay equalized for linear phase. Other bandwidths are available. Please consult the factory.

Features

- 15 MHz Lowpass Filter
- Passband Ripple ± 0.1 dB max
- Rejection at 22.275 MHz: 40 dB min
- Sharp Elliptic Type Design
- Group Delay Equalized for Linear Phase
- 50 Ω Source and Load

Typical Performance



KR Electronics, Inc.
91 Avenel Street
Avenel, NJ 07001

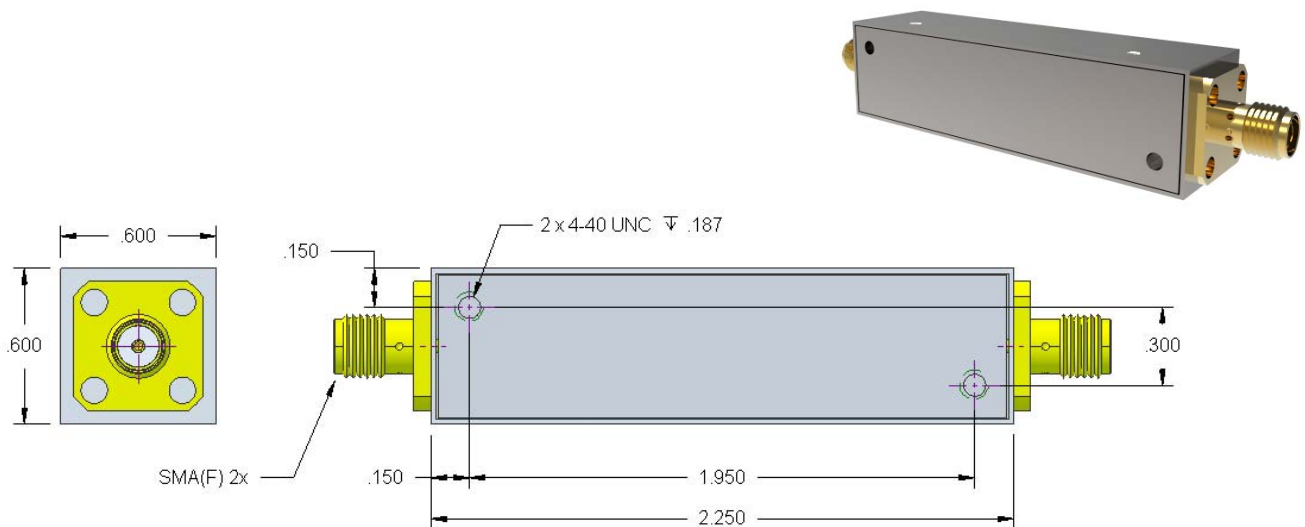
www.krfilters.com
sales@krfilters.com
(732) 636-1900

KR Electronics 2378-50-SMA

Specifications

Parameter	Specification	Notes
Filter type	Lowpass	
End of Passband (± 0.2 dB Ripple)	14.85 MHz	
Rejection at 18.5625 MHz	12 dB min	
Rejection at 22.275 MHz	40 dB min	
Rejection at 27.1 MHz	50 dB min	
Group Delay Ripple to 10 MHz	17 nsec max	5 nsec typical
Group Delay Ripple to 14.85 MHz	25 nsec max	15 nsec typical
Source and Load	50 Ω	

Physical Dimensions



Notes:

1. Dimensions in inches
2. Rectangular case