

General Description

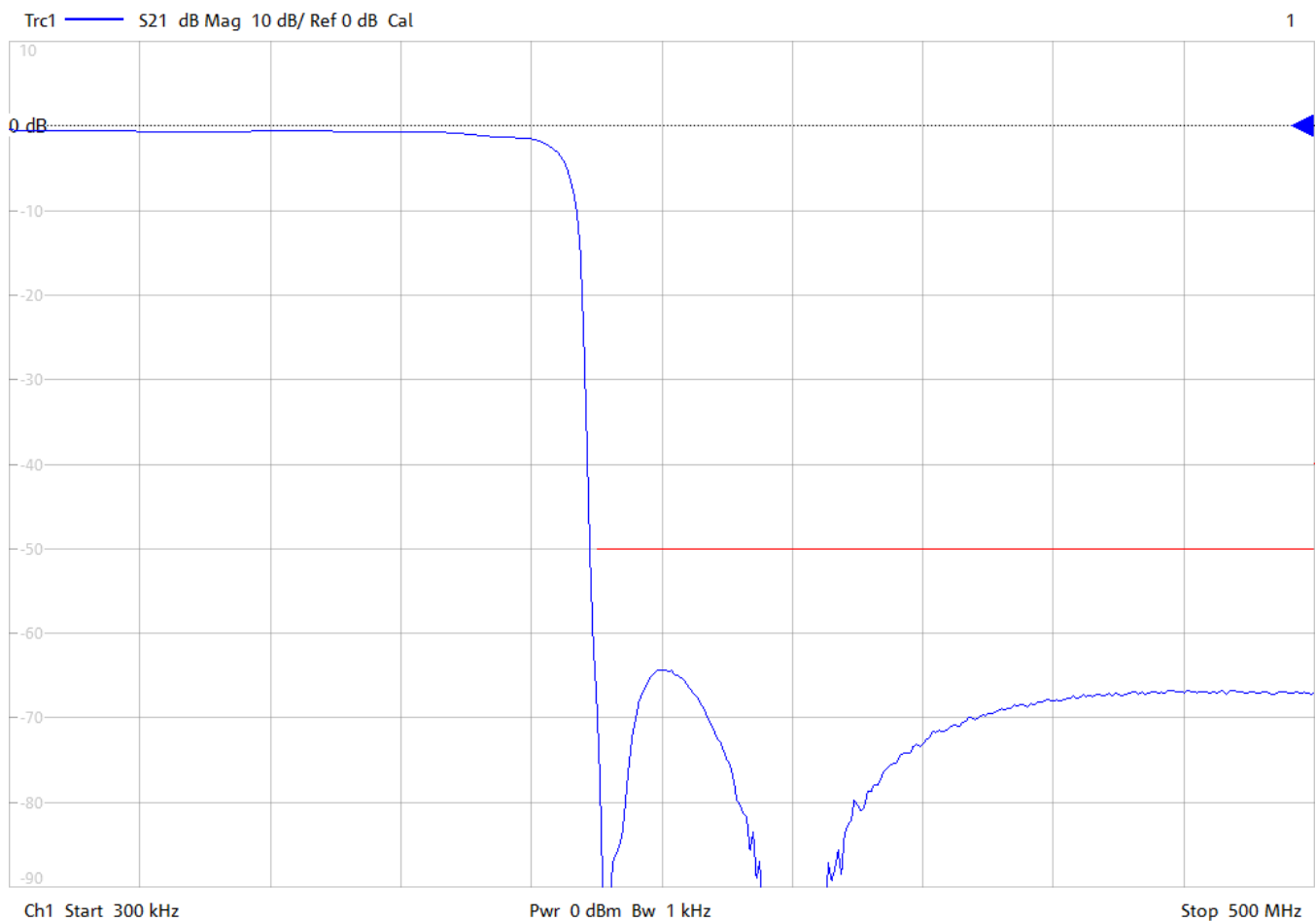
KR Electronics part number 2750-SMA is a 165 MHz lowpass filter. The filter has a min 0.75 dB bandwidth of 165 MHz and attains over 50 dB rejection by 225 MHz. Other frequencies are available. Please consult the factory.

Features

- 165 MHz Lowpass Filter
- Sharp Elliptic Type Response
- Group Delay Equalized
- 50 Ω Source and Load
- SMA Connectors
- Also available in SMD package

Typical Performance

Overall Response (10 dB/div)

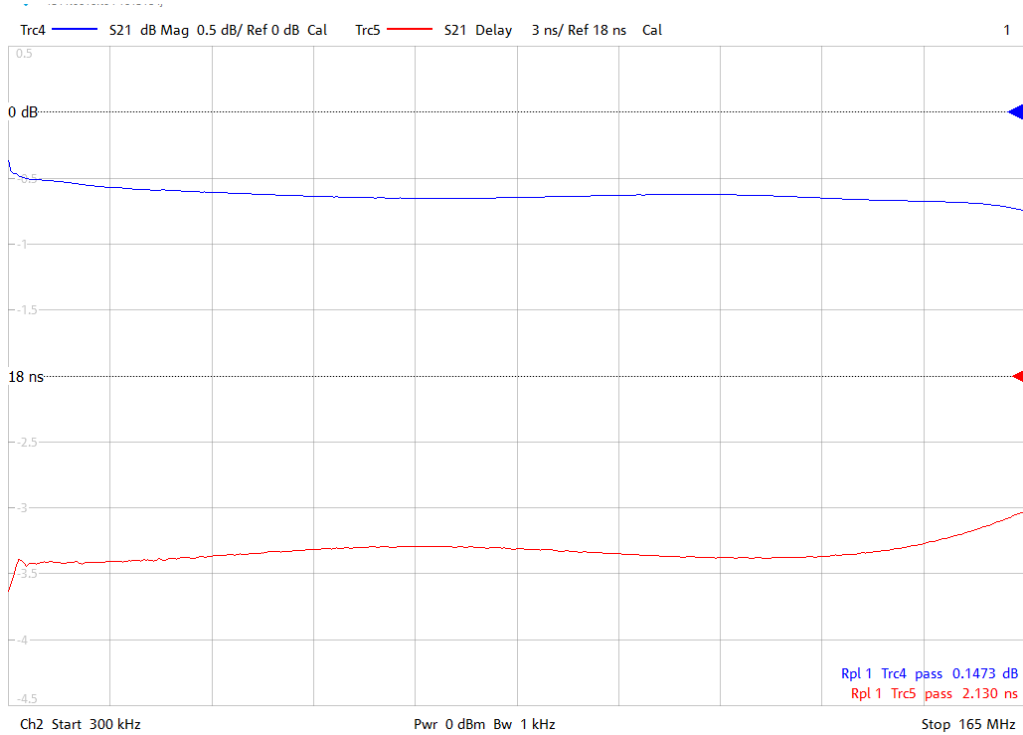


KR Electronics, Inc.
91 Avenel Street
Avenel, NJ 07001

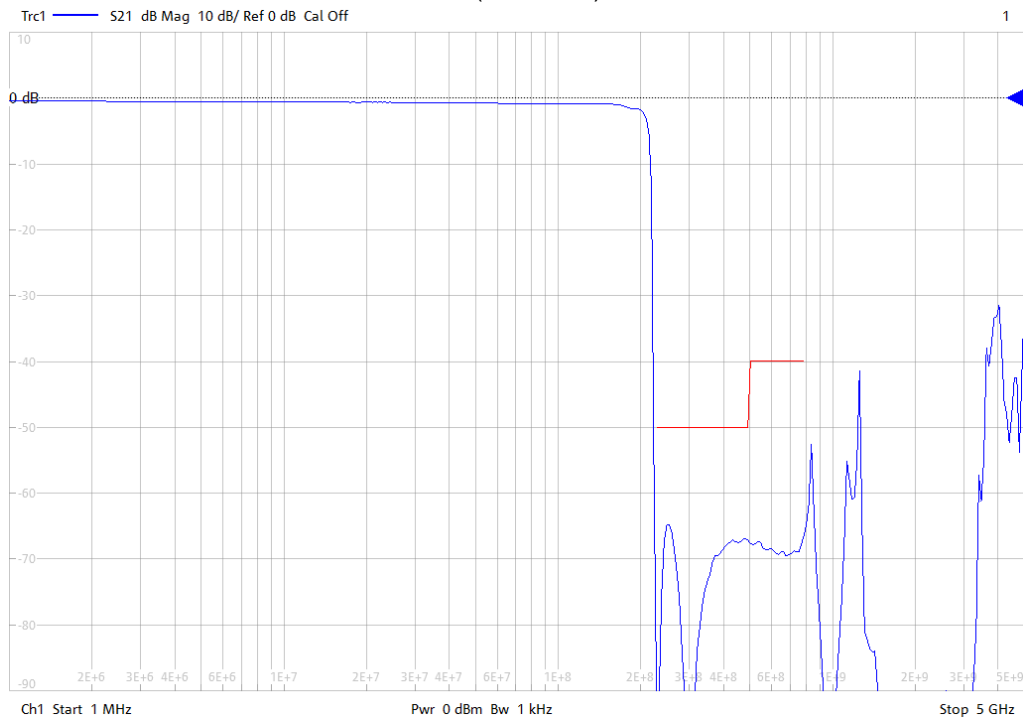
Web www.krfilters.com
Email sales@krfilters.com
Phone (732) 636-1900
Fax (732) 636-1982

KR Electronics 2750-SMA

Passband Amplitude & Group Delay (1 dB/div & 3 nsec/div)



Overall Response (10 dB/div)



KR Electronics, Inc.
91 Avenel Street
Avenel, NJ 07001

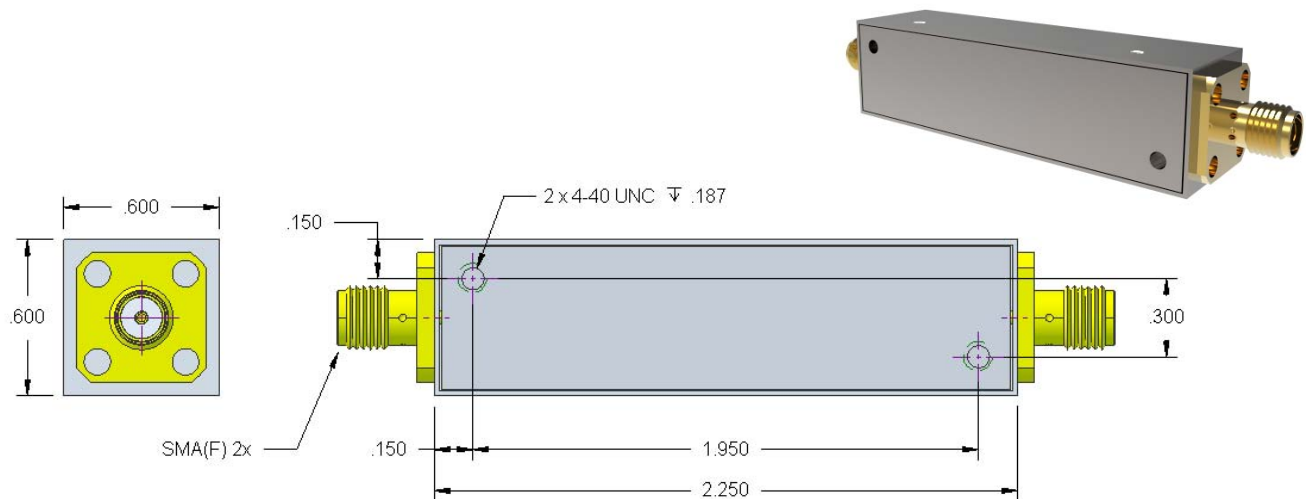
Web www.krfilters.com
Email sales@krfilters.com
Phone (732) 636-1900
Fax (732) 636-1982

KR Electronics 2750-SMA

Specifications

Parameter	Specification
Filter type	Lowpass
Insertion Loss at 300 KHz	1 dB max 0.5 dB typical
Insertion Loss at Fc	1 dBa max 0.35 dBa typical
Passband Flatness to 165 MHz	0.75 dB max pk-pk 0.25 dB typical
Rejection 225 to 500 MHz	50 dB min
Rejection 500 to 800 MHz	40 dB min
Source and Load	50 Ω

Physical Dimensions



Notes:

1. Dimensions in inches
2. Metal Case
3. SMA(F) Connectors
4. Also available in a surface mount package

KR Electronics, Inc.
91 Avenel Street
Avenel, NJ 07001

Web www.krfilters.com
Email sales@krfilters.com
Phone (732) 636-1900
Fax (732) 636-1982