

General Description

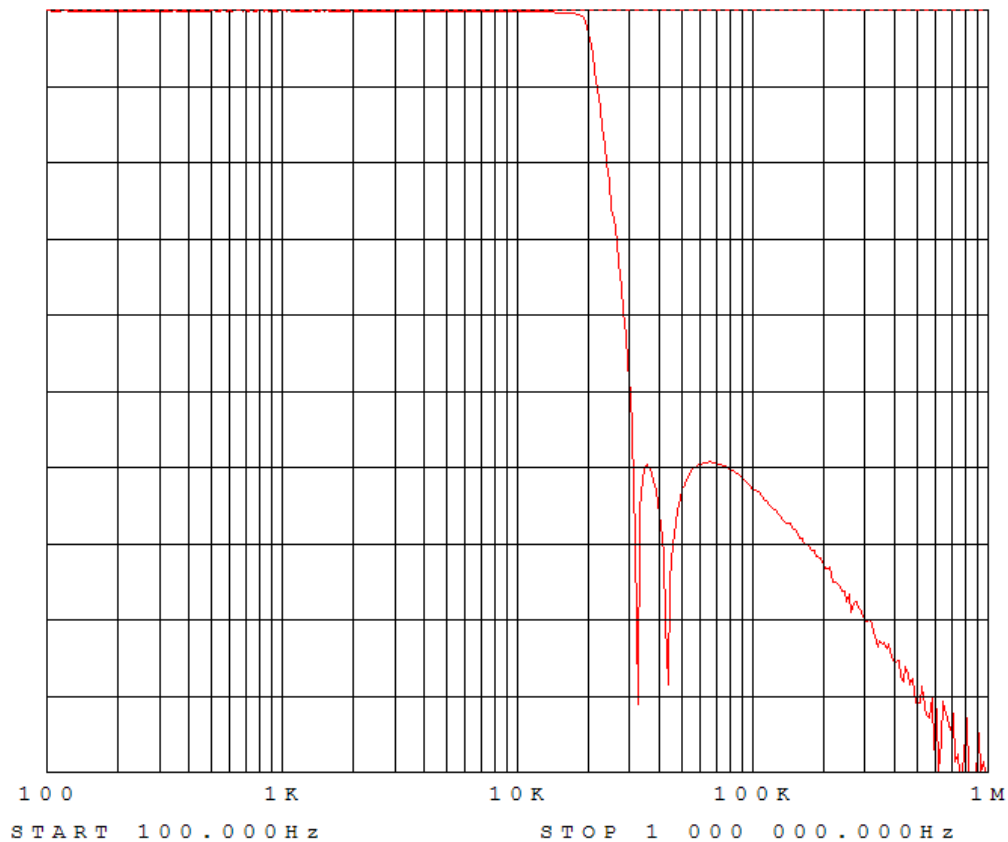
KR Electronics 3201-20-SMA is a 20 KHz lowpass filter. The filter has a 3 dB bandwidth of 20 KHz and is designed for a source and load impedance of 50 Ω . Other passband frequencies are available. Please consult the factory.

Features

- 20 KHz Lowpass Filter
- Sharp Transition to Stopband
- Elliptic Response
- Flat Passband Response
- SMA Connectors
- Other configurations available

Typical Performance

REF LEVEL / DIV
0.000dB 10.000dB



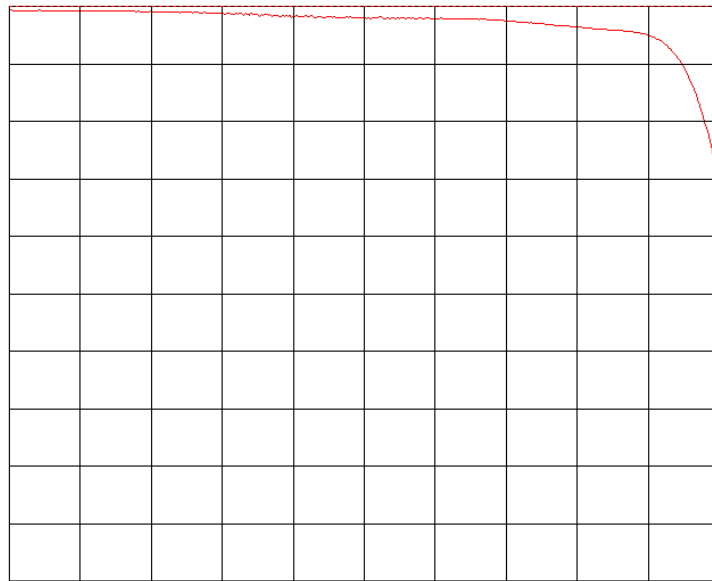
KR Electronics, Inc.
91 Avenel Street
Avenel, NJ 07001

Web www.krfilters.com
Email sales@krfilters.com
Phone (732) 636-1900
Fax (732) 636-1982

KR Electronics 3201-20-SMA

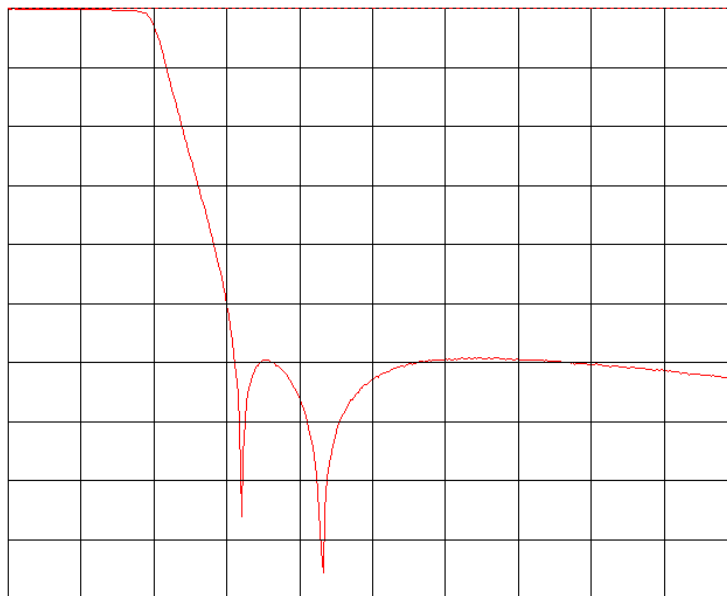
Typical Performance

REF LEVEL /DIV MARKER 20 000.000Hz
0.000dB 1.000dB MAG(UDF) -3.051dB



START 100.000Hz STOP 20 000.000Hz
AMPTD 0.0dBm

REF LEVEL /DIV
0.000dB 10.000dB



START 100.000Hz STOP 100 000.000Hz
AMPTD 0.0dBm

KR Electronics, Inc.
91 Avenel Street
Avenel, NJ 07001

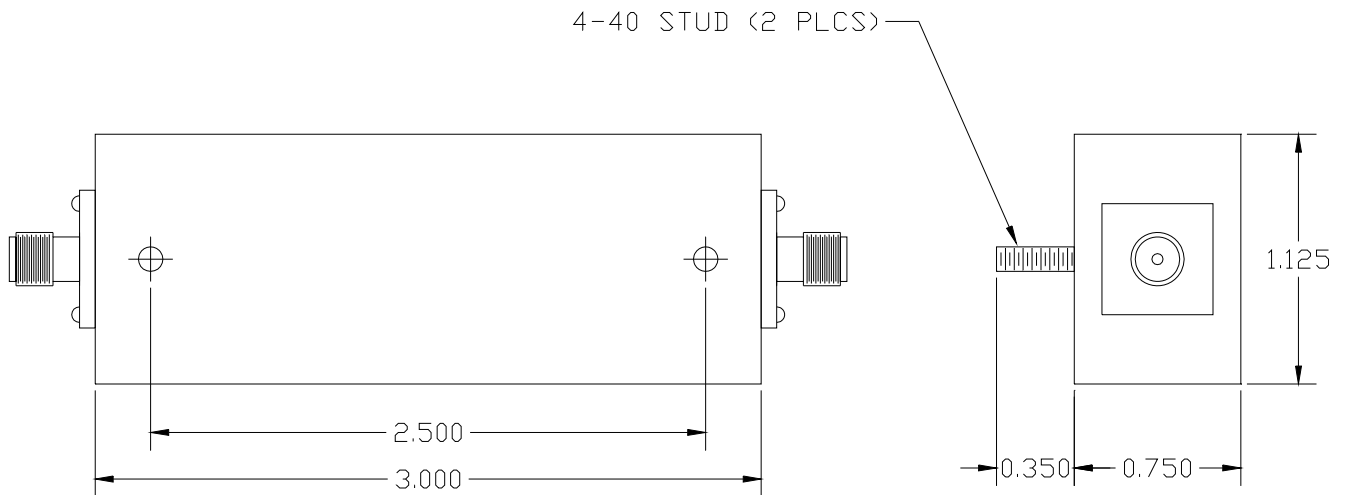
Web www.krfilters.com
Email sales@krfilters.com
Phone (732) 636-1900
Fax (732) 636-1982

KR Electronics 3201-20-SMA

Specifications

Parameter	Specification	Notes
Filter type	Lowpass	
Insertion Loss at 100 Hz	1 dB max	<0.1 dB typical
Attenuation at 20 KHz	3 dB \pm 0.5 dB	
Attenuation at 32 KHz	52 dB min	
Source and Load	50 Ω	

Physical Dimensions



Notes:

1. Dimensions in inches
2. SMA(f) connectors 2 plcs