

General Description

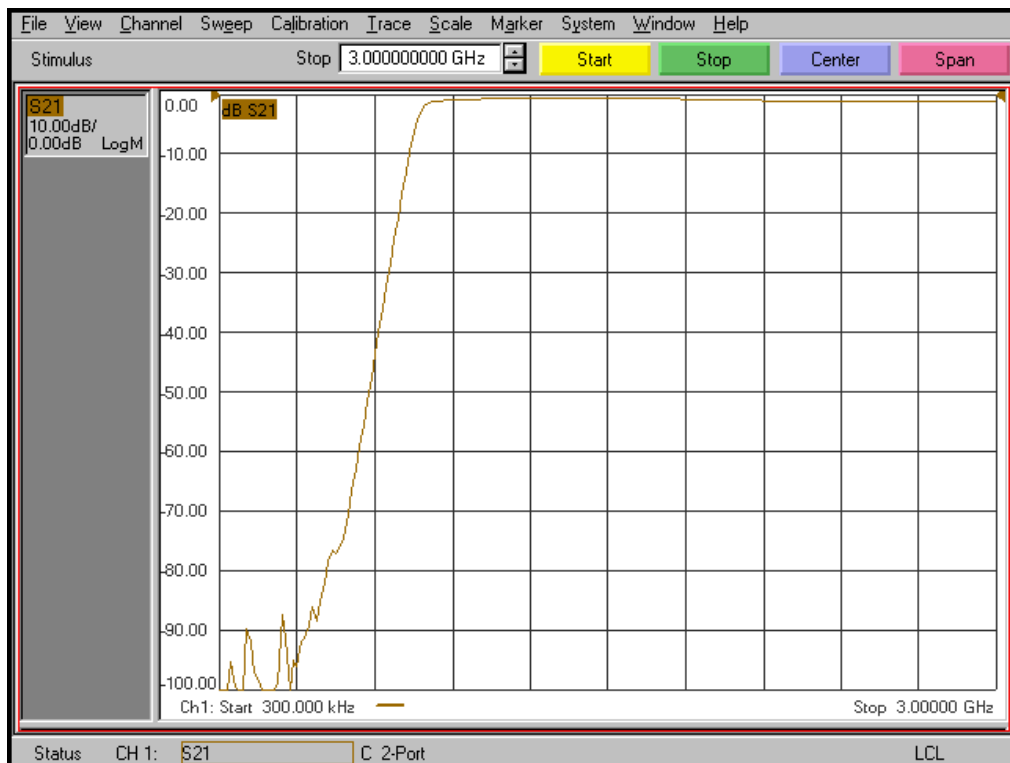
KR Electronics part number 3255-805-HP is a 805 MHz highpass filter. Other cutoff frequencies are available. Please consult the factory.

Features

- 805 MHz Highpass Filter
- < 1.5 dB at 805 MHz
- 50 dB min at 500 MHz
- 50 Ω Source and Load
- Surface Mount
- Available with SMA Connectors
- Other frequencies available

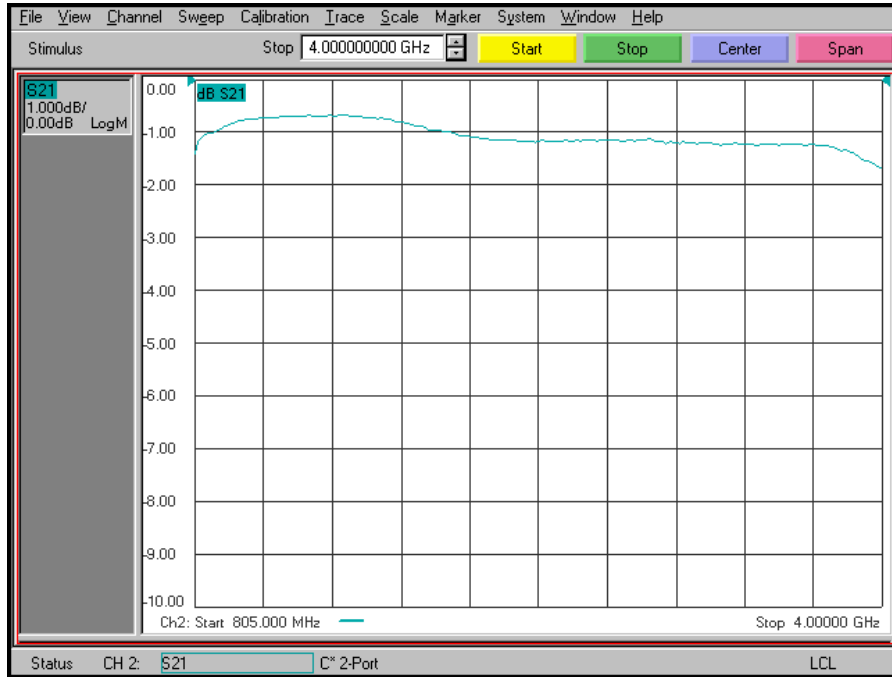
Typical Performance

Overall Response (10 dB/div)

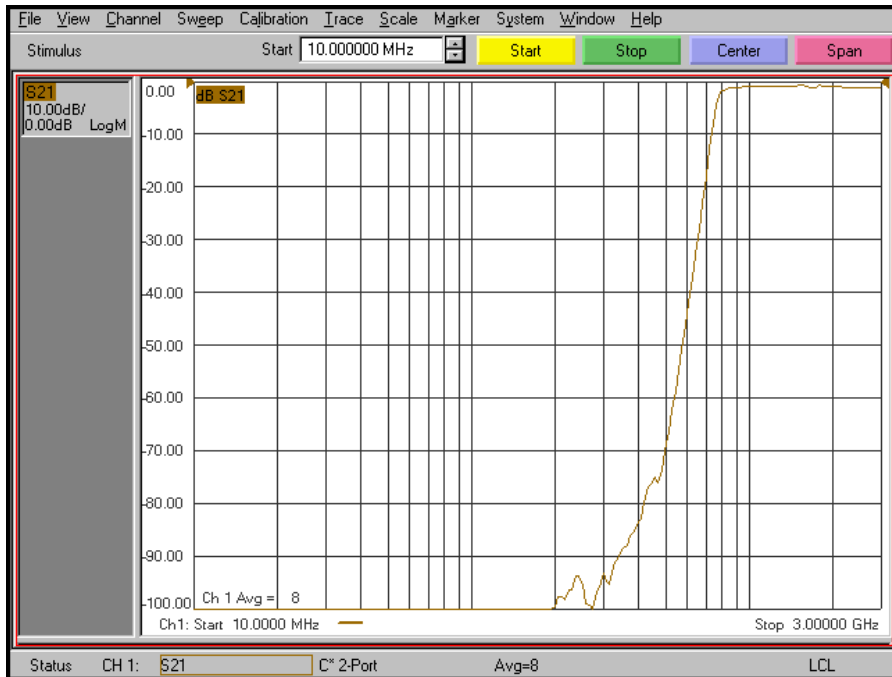


KR Electronics 3255-805-HP

Passband Amplitude (1 dB/div)



Overall Response (10 dB/div)



KR Electronics, Inc.
91 Avenel Street
Avenel, NJ 07001

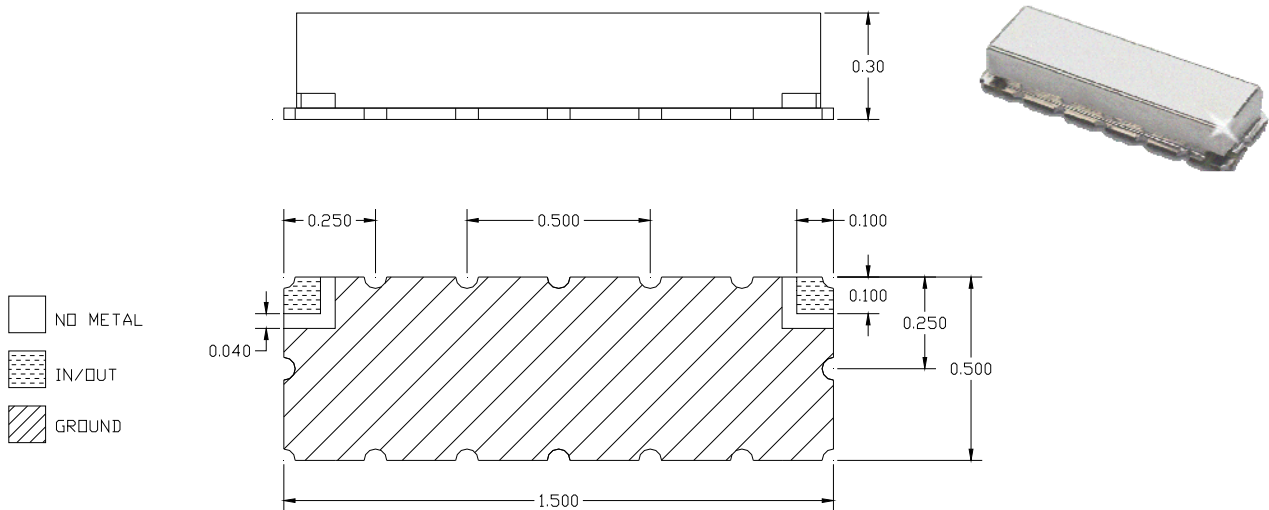
Web www.krfilters.com
Email sales@krfilters.com
Phone (732) 636-1900
Fax (732) 636-1982

KR Electronics 3255-805-HP

Specifications

Parameter	Specification	Notes
Filter type	Highpass	
Attenuation 805 to 2000 MHz	1.5 dB max	805 MHz to >3000 MHz typical
Attenuation dc to 500 MHz	50 dB min	> 70 dB typical
Source and Load	50 Ω	

Physical Dimensions



Notes:

1. Surface mount package
2. Dimensions in inches
3. Max reflow temperature 230° C for 10 sec
4. If boards are cleaned after installation units must be completely dried