

# KR Electronics, Inc.

## General Description

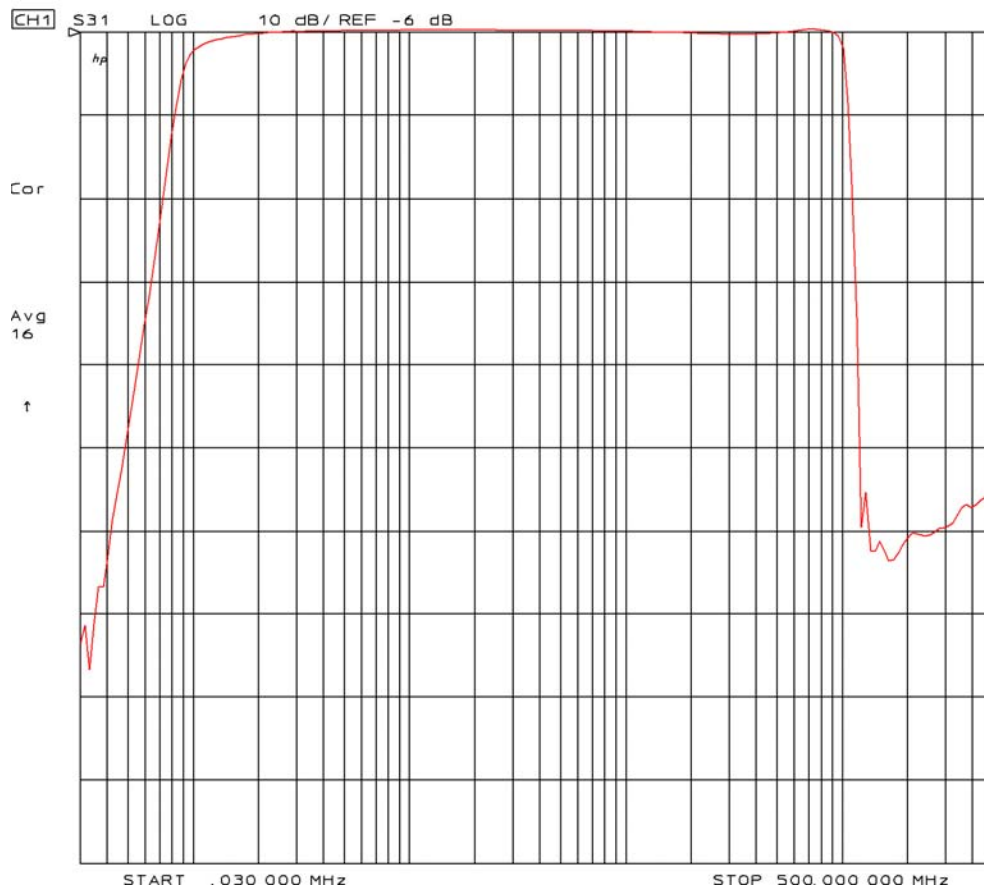
KR Electronics part number 3267-SMA is a 50 MHz bandpass filter. The filter has a minimum 3 dB bandwidth of 99.9 MHz. Other center frequencies and bandwidths are available. Please consult the factory.

### Features

- 50 MHz Bandpass Filter
- Wideband Passband 100 KHz to 100 MHz
- 2 dB Bandwidth 99.9 MHz min
- 40 dB min at 50 KHz and 120 MHz
- 50  $\Omega$  Source and Load
- SMA Connectors

## Typical Performance

Overall Response  
(10 dB/div)

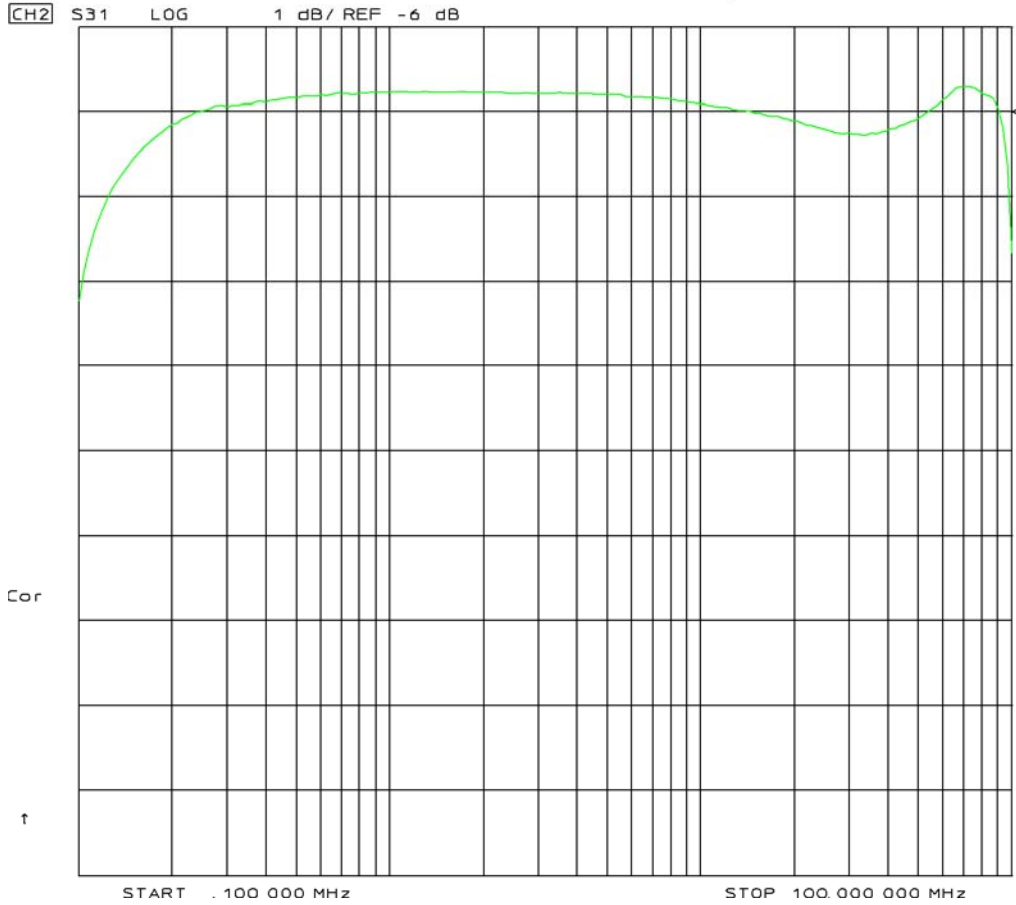


KR Electronics, Inc.  
91 Avenel Street  
Avenel, NJ 07001

Web [www.krfilters.com](http://www.krfilters.com)  
Email [sales@krfilters.com](mailto:sales@krfilters.com)  
Phone (732) 636-1900  
Fax (732) 636-1982

# KR Electronics 3267-SMA

## Passband Amplitude (1 dB/div)



KR Electronics, Inc.  
91 Avenel Street  
Avenel, NJ 07001

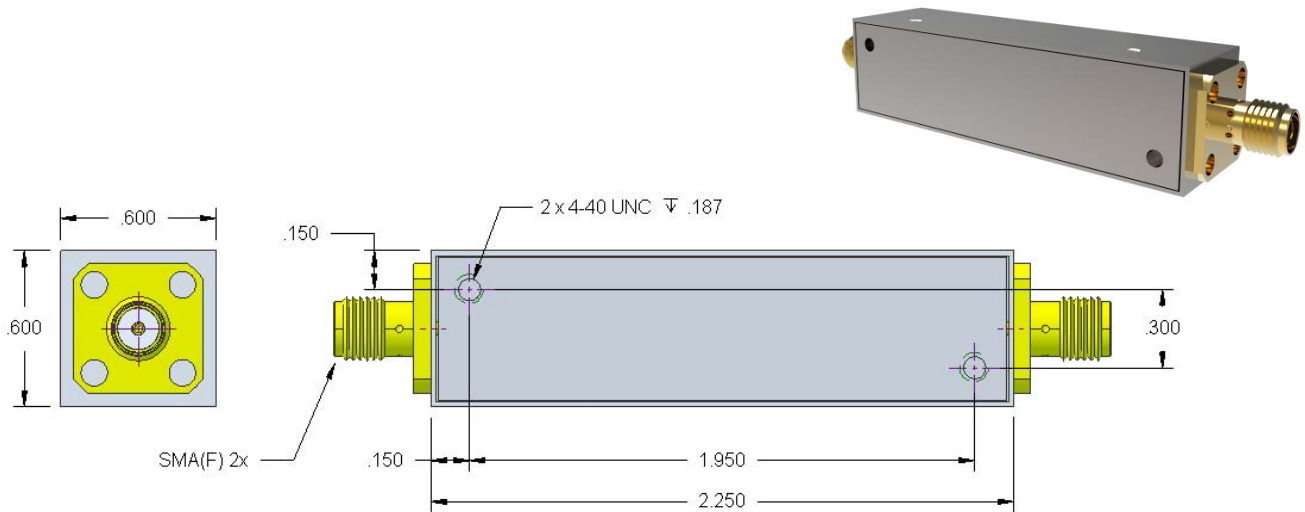
Web [www.krfilters.com](http://www.krfilters.com)  
Email [sales@krfilters.com](mailto:sales@krfilters.com)  
Phone (732) 636-1900  
Fax (732) 636-1982

# KR Electronics 3267-SMA

## Specifications

Parameter	Specification	Notes
Filter type	Bandpass	
Center Frequency	50 MHz	
Insertion Loss at 2 MHz	6.5 dBa max	6 dBa Insertion Loss comes from the internal 50Ω load resistor. The filter can also be supplied for an external 50Ω load (no internal load resistor)
Passband ( 3 dBc max)	100 KHz to 100 MHz	
Rejection at 50 KHz & below	40 dB min	
Rejection 120 MHz to 500 MHz	40 dB min	
Source	50 Ω	
Load	100 KΩ min < 5 pF	Also available for 50Ω Load

## Physical Dimensions



**Notes:**

1. Dimensions in inches
2. Rectangular case