

# KR Electronics, Inc.

## General Description

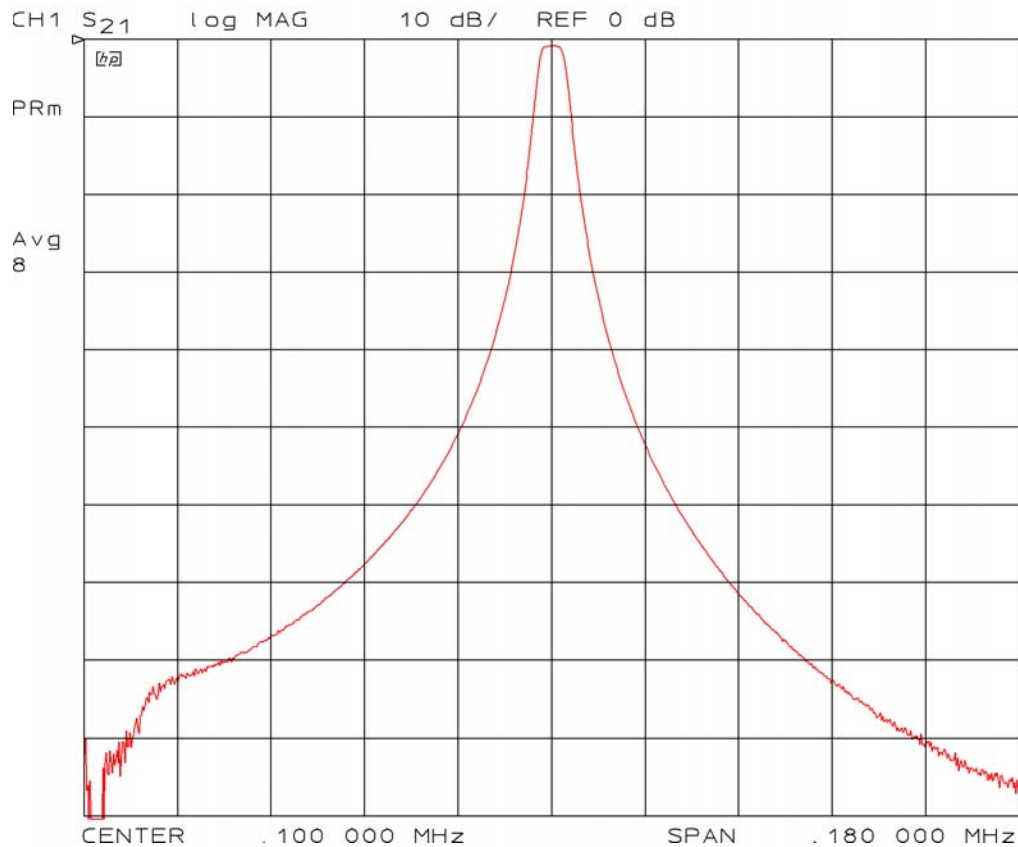
KR Electronics part number 3317-SMA is a 100 KHz bandpass filter. The filter has a 3 dB bandwidth of 5 KHz. Other frequencies are available. Please consult the factory.

## Features

- 100 KHz Bandpass Filter
- 3 dB Bandwidth 5 KHz min
- High Stopband Loss
- 50  $\Omega$  Source and Load
- SMA Connectors

## Typical Performance

**Overall Response**  
(10 dB/div)



KR Electronics, Inc.  
91 Avenel Street  
Avenel, NJ 07001

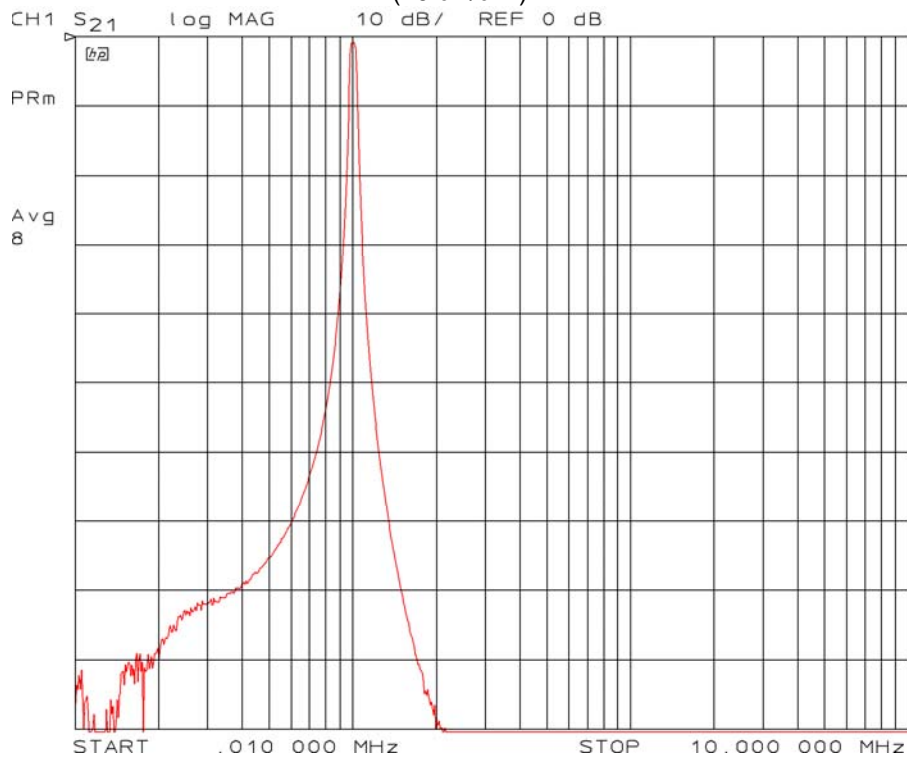
Web [www.krfilters.com](http://www.krfilters.com)  
Email [sales@krfilters.com](mailto:sales@krfilters.com)  
Phone (732) 636-1900  
Fax (732) 636-1982

Typical Performance

Passband Amplitude  
(1 dB/div)



Overall Response  
(10 dB/div)

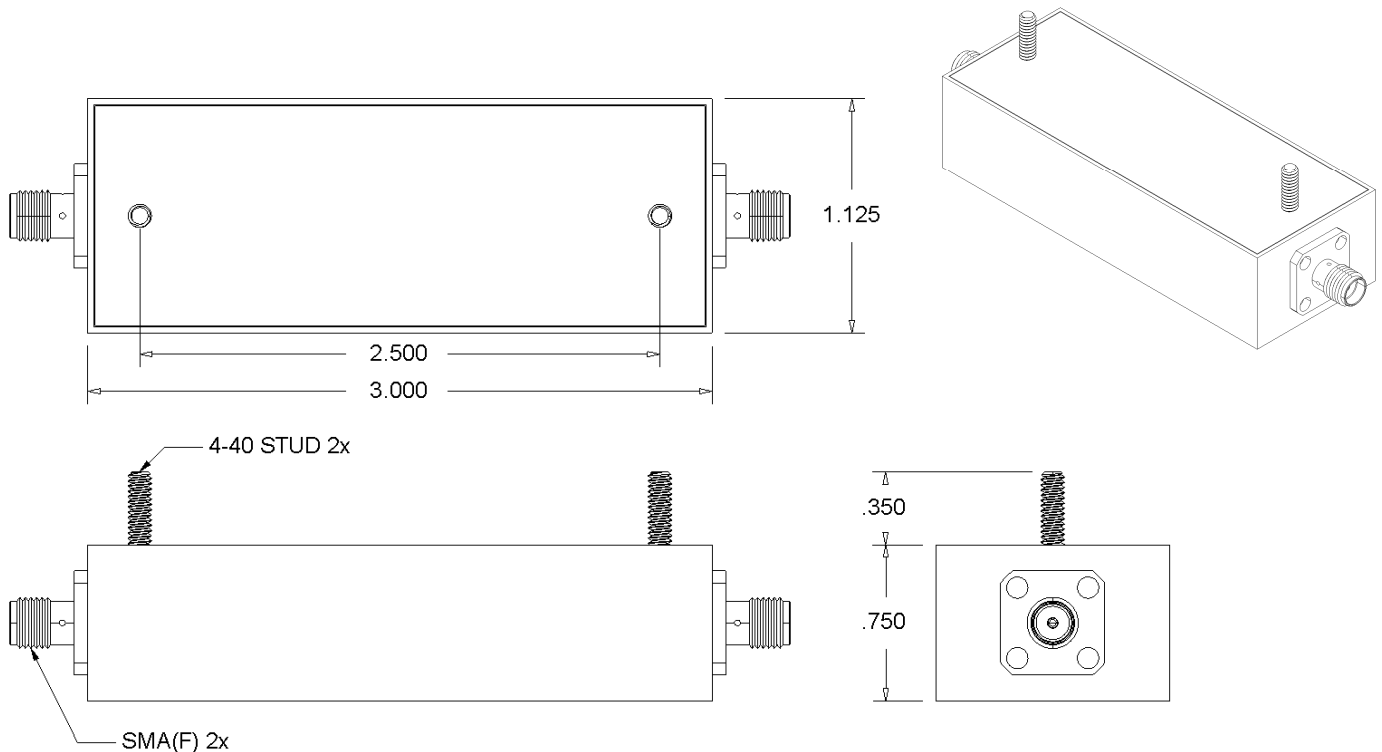


# KR Electronics 3317-SMA

## Specifications

Parameter	Specification	Notes
Filter type	Bandpass	
Center Frequency (Fc)	100 KHz	
Insertion Loss (at Fc)	2 dBa max	1 dBa typical
3 dBc Bandwidth	5 KHz min	5.3 KHz typical
40 dBc Bandwidth	24 KHz typical	
60 dBc Bandwidth	51.8 KHz typical	
Source and Load	50 Ω	

## Physical Dimensions



**Notes:**

1. Dimensions in inches
2. SMA(F) Connectors In/Out

KR Electronics, Inc.  
 91 Avenel Street  
 Avenel, NJ 07001

Web [www.krfilters.com](http://www.krfilters.com)  
 Email [sales@krfilters.com](mailto:sales@krfilters.com)  
 Phone (732) 636-1900  
 Fax (732) 636-1982