

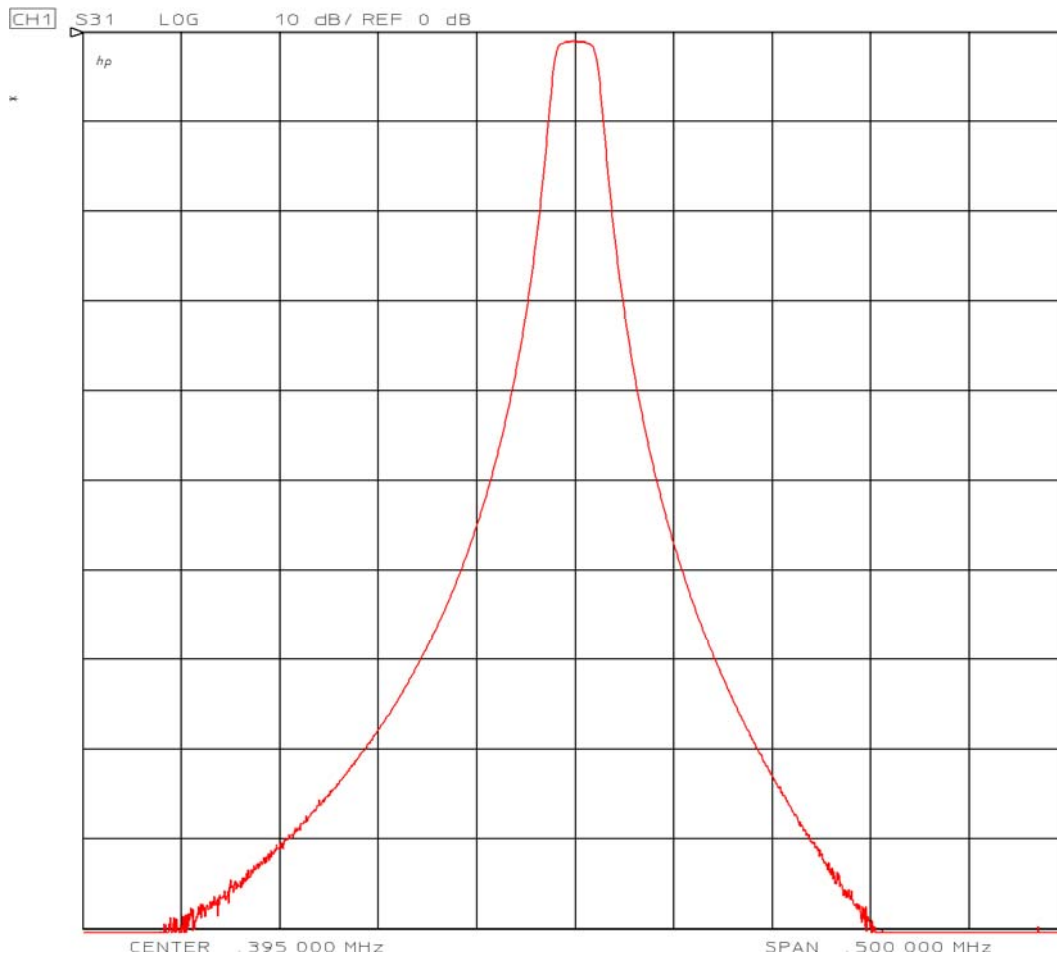
General Description

KR Electronics 3372-395-SMA is a 395 KHz bandpass filter. The filter has a 1 dB bandwidth of 20 KHz maximum and is designed for a source and load impedance of 50 Ω . Other pass-band frequencies are available. Please consult the factory.

Features

- 395 KHz Bandpass Filter
- High Stopband Loss
- >90 dB at $2x F_c$
- SMA Connectors
- Other configurations available

Typical Performance

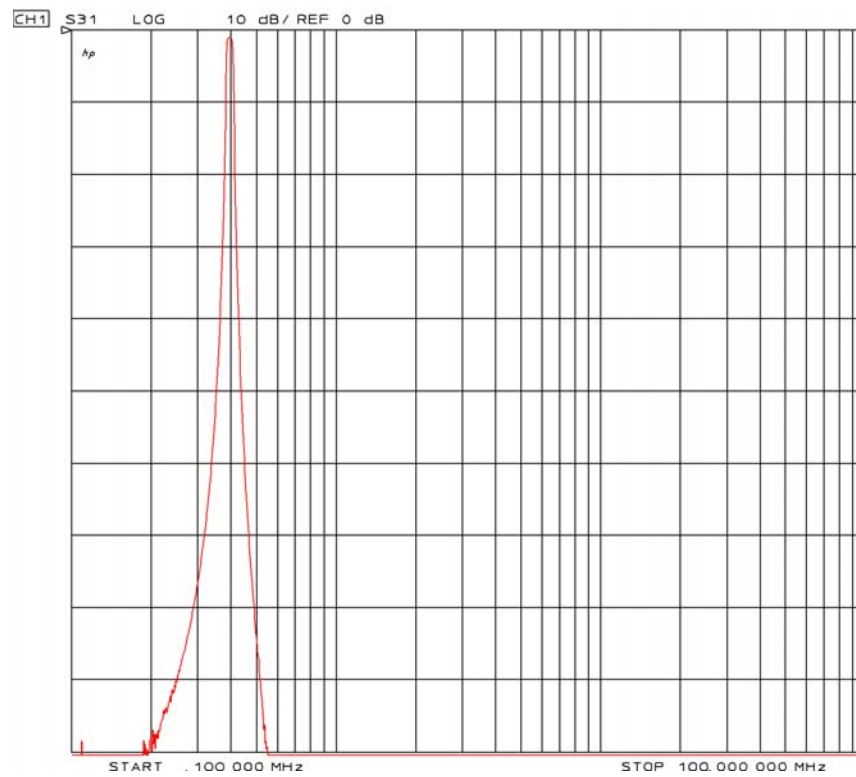
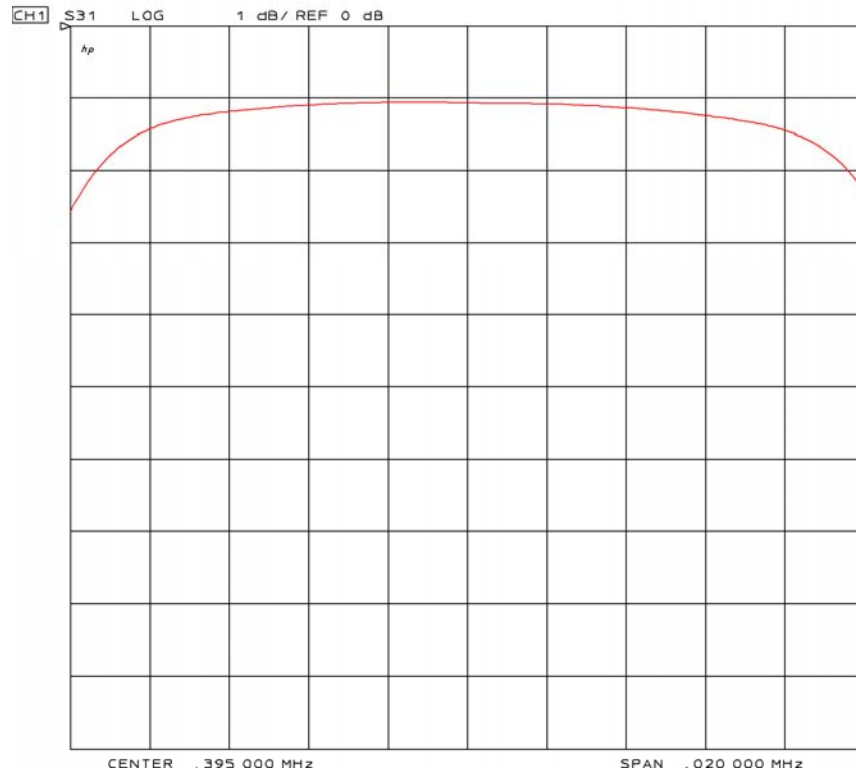


KR Electronics, Inc.
91 Avenel Street
Avenel, NJ 07001

Web www.krfilters.com
Email sales@krfilters.com
Phone (732) 636-1900
Fax (732) 636-1982

KR Electronics 3372-395-SMA

Typical Performance



KR Electronics, Inc.
91 Avenel Street
Avenel, NJ 07001

Web
Email
Phone

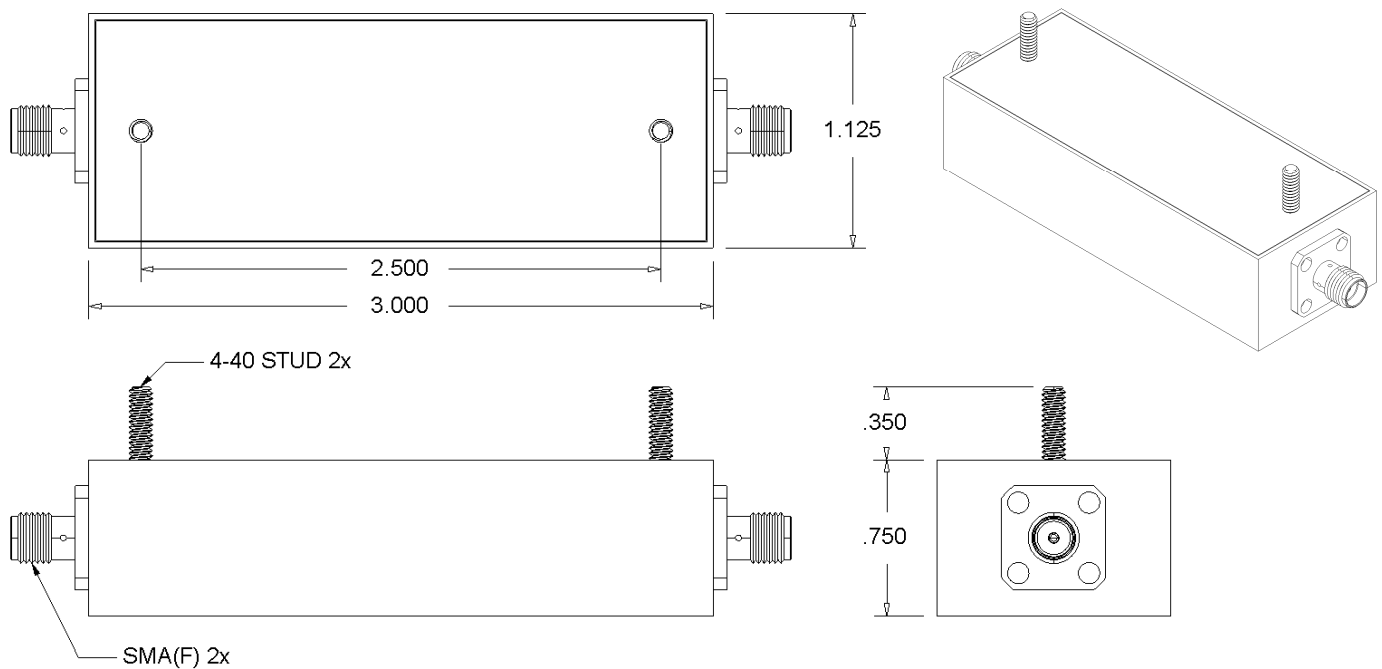
www.krfilters.com
sales@krfilters.com
(732) 636-1900

KR Electronics 3372-395-SMA

Specifications

Parameter	Specification	Notes
Filter type	Bandpass	
Center Frequency Fc	395 KHz	
Insertion Loss at Fc	< 1.5 dBa typical	
1 dBc Bandwidth	20 KHz max	19 KHz typical
3 dBc Bandwidth	22 KHz typical	
40 dBc Bandwidth	66 KHz typical	
60 dBc Bandwidth	116 KHz typical	
Rejection at 2xFc	90 dBc min	
Source and Load	50 Ω	

Physical Dimensions



Notes:

1. Dimensions in inches

KR Electronics, Inc.
91 Avenel Street
Avenel, NJ 07001

Web www.krfilters.com
Email sales@krfilters.com
Phone (732) 636-1900
Fax (732) 636-1982