

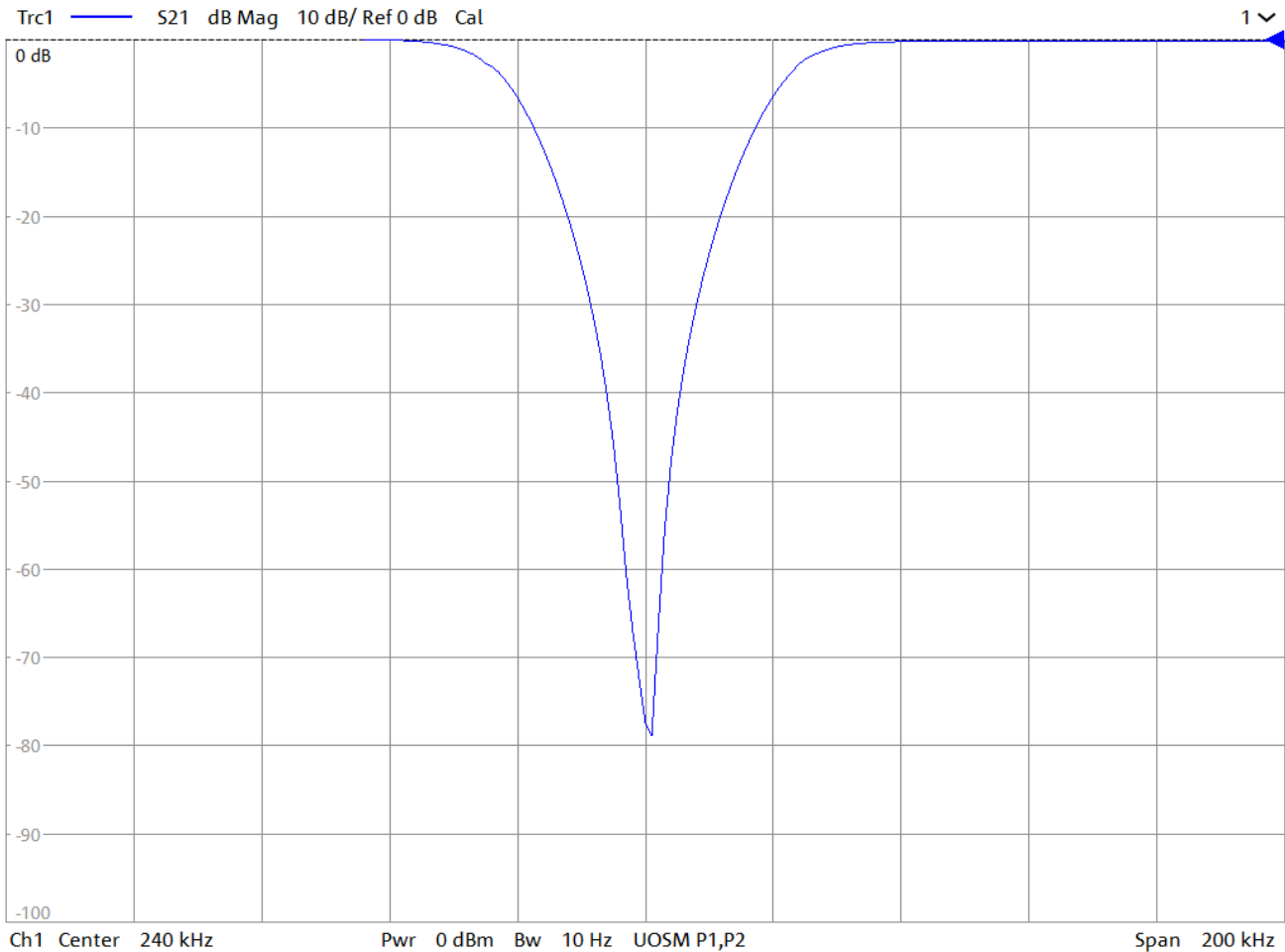
General Description

KR Electronics 3459-SMA is a 240 KHz notch filter. Other notch frequencies are available. Please consult the factory.

Features

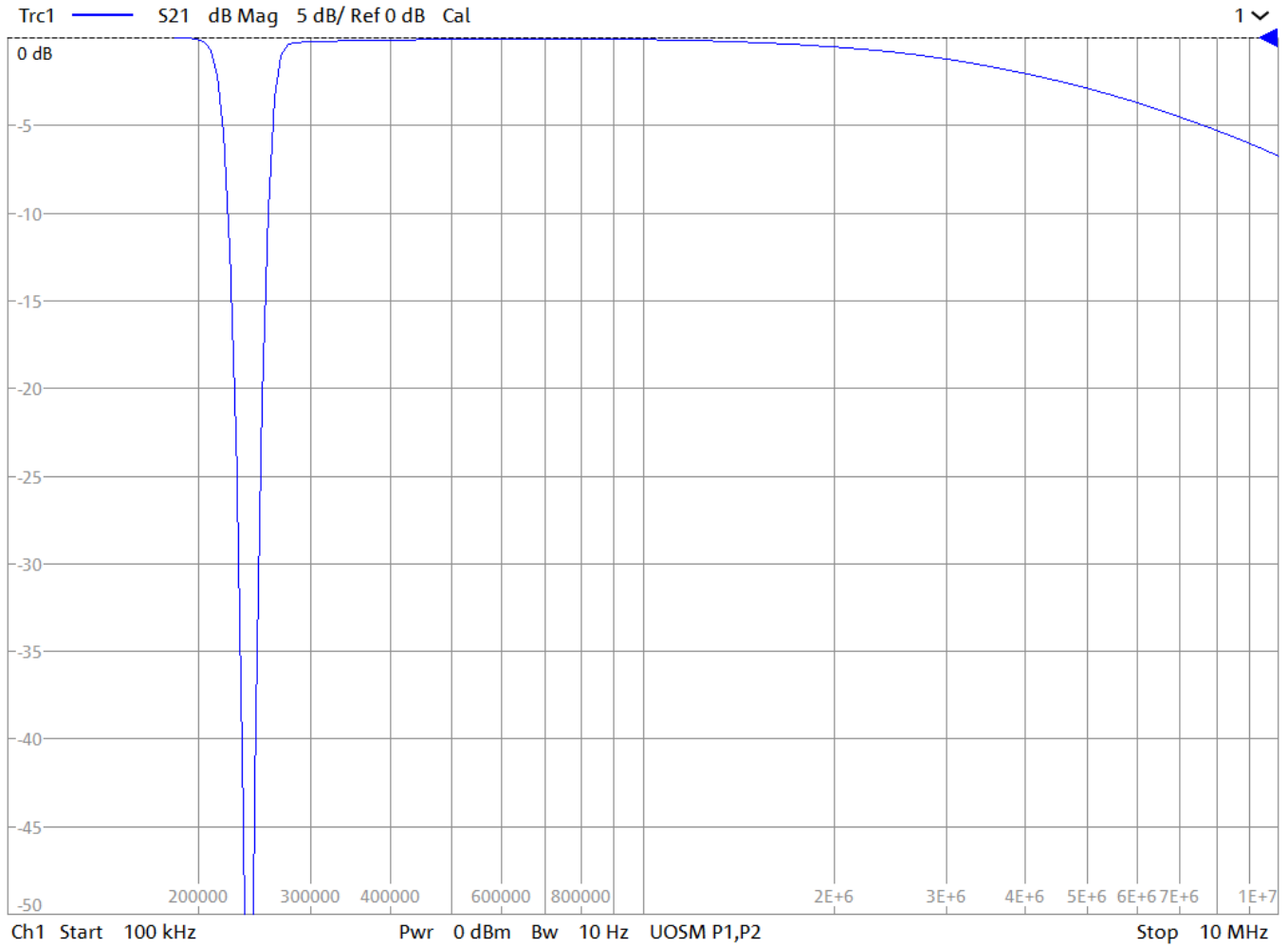
- 240 KHz Notch Filter
- High Notch Rejection >50 dB
- 3 dB Bandwidth: 50 KHz typical
- 2000Ω Source & Load
- SMA Connectors
- Other configurations available

Typical Performance



KR Electronics 3459-SMA

Typical Performance

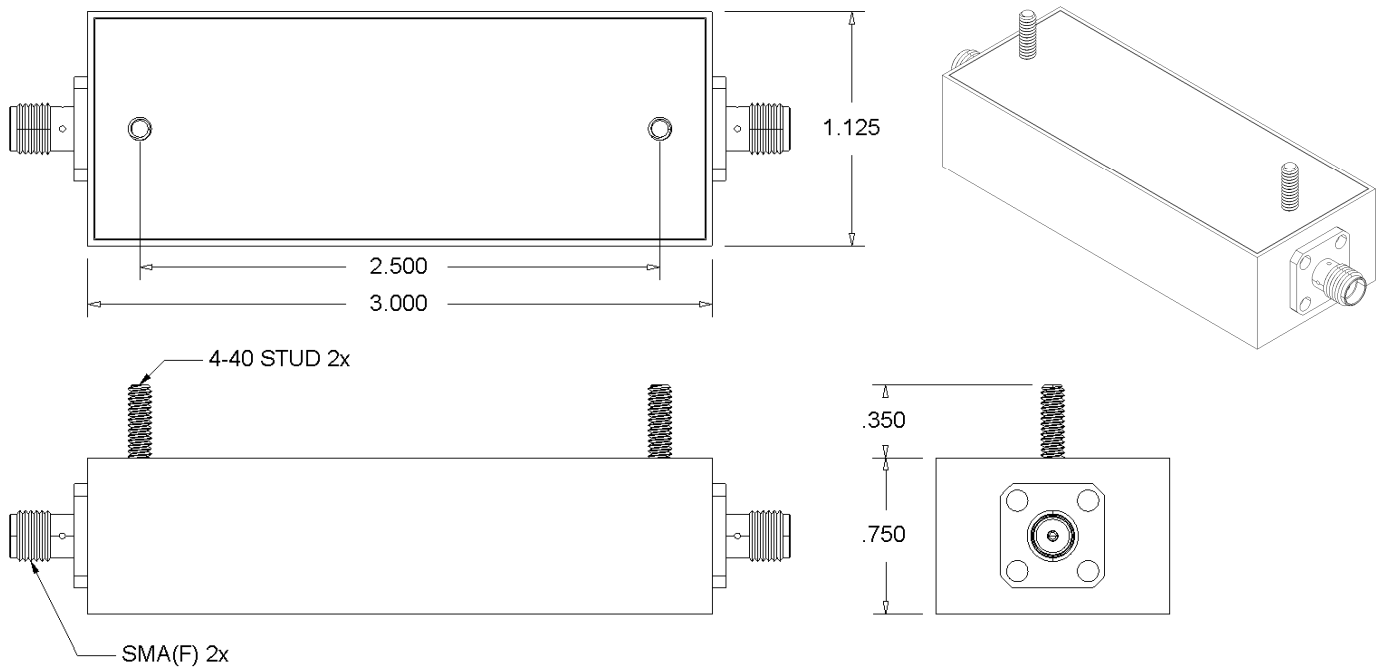


KR Electronics 3459-SMA

Specifications

Parameter	Specification	Notes
Filter type	Notch	
Notch Frequency Fc	240 KHz	
Rejection at Fc	50 dB min	
3 dB Bandwidth	50 KHz typical	Passband to 2 MHz
50 dB Bandwidth	8 KHz typical	
Source and Load	2000 Ω	

Physical Dimensions



Notes:

1. Dimensions in inches