

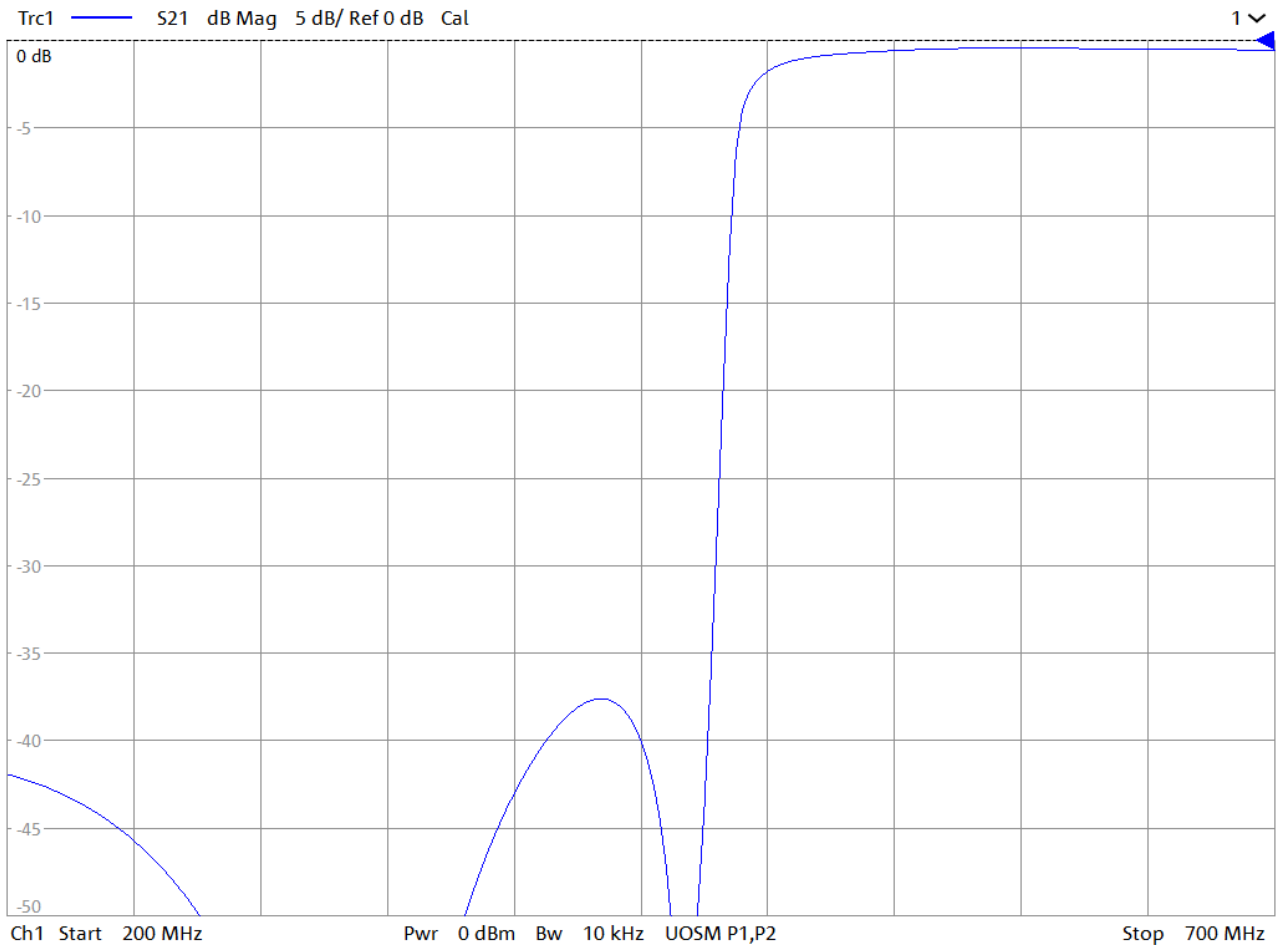
## General Description

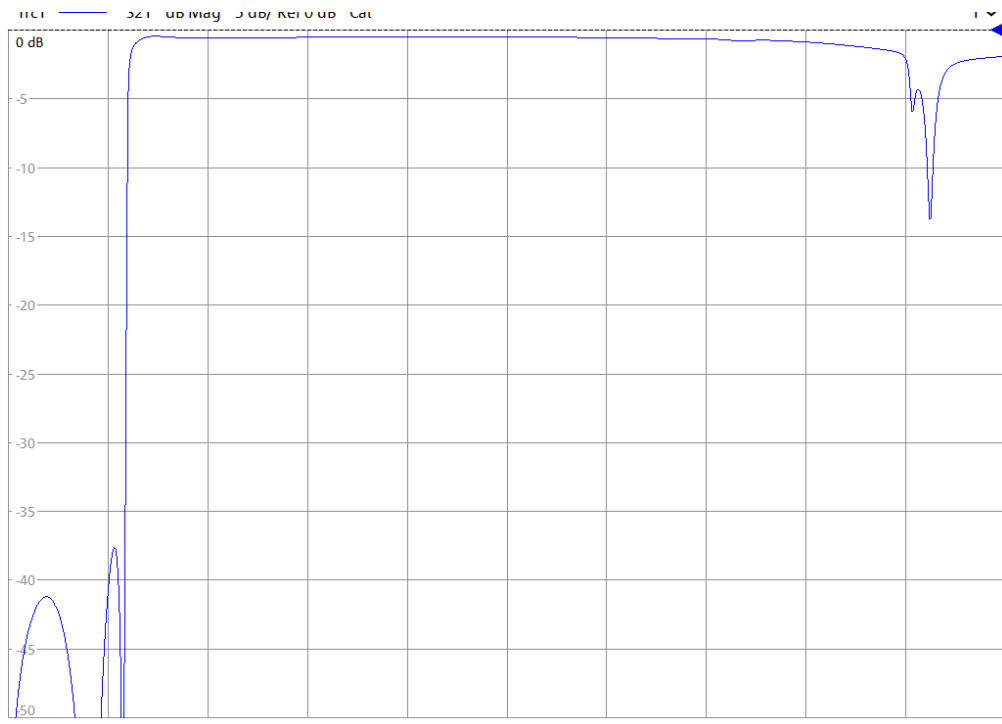
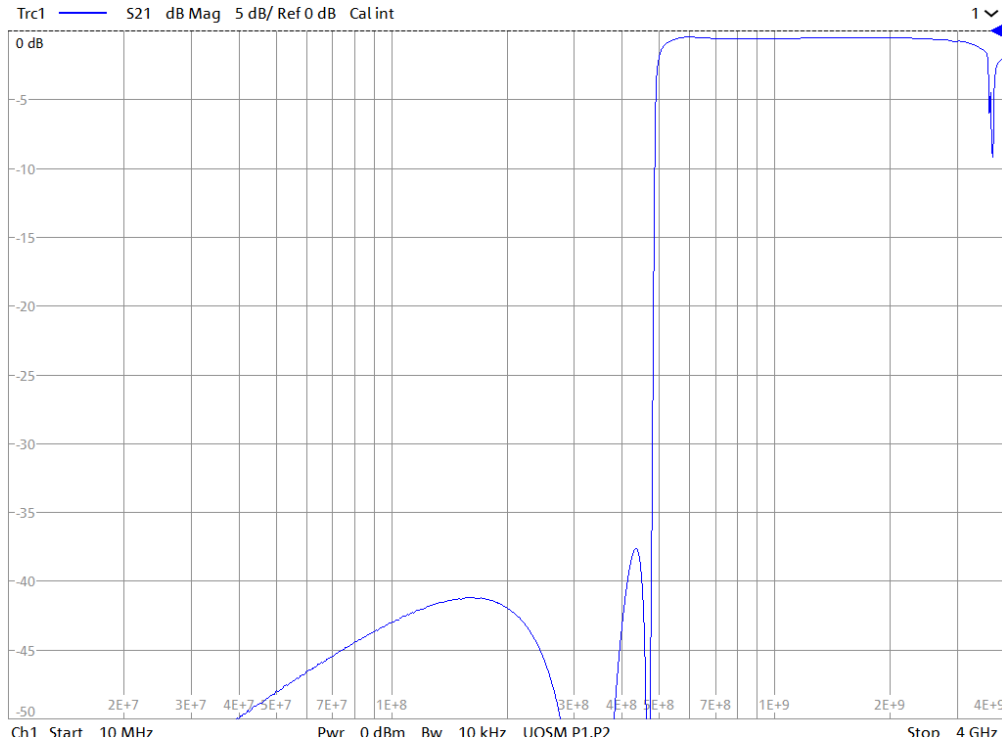
KR Electronics part number 3463-SMA is a 500 MHz highpass filter. Other frequencies are available. Please consult the factory.

### Features

- 500 MHz Highpass
- Loss at 500 MHz: 2 dB typical
- Rejection at 476 MHz: 30 dB min
- 50  $\Omega$  Source and Load
- SMA Connectors
- Surface Mount also available

## Typical Performance



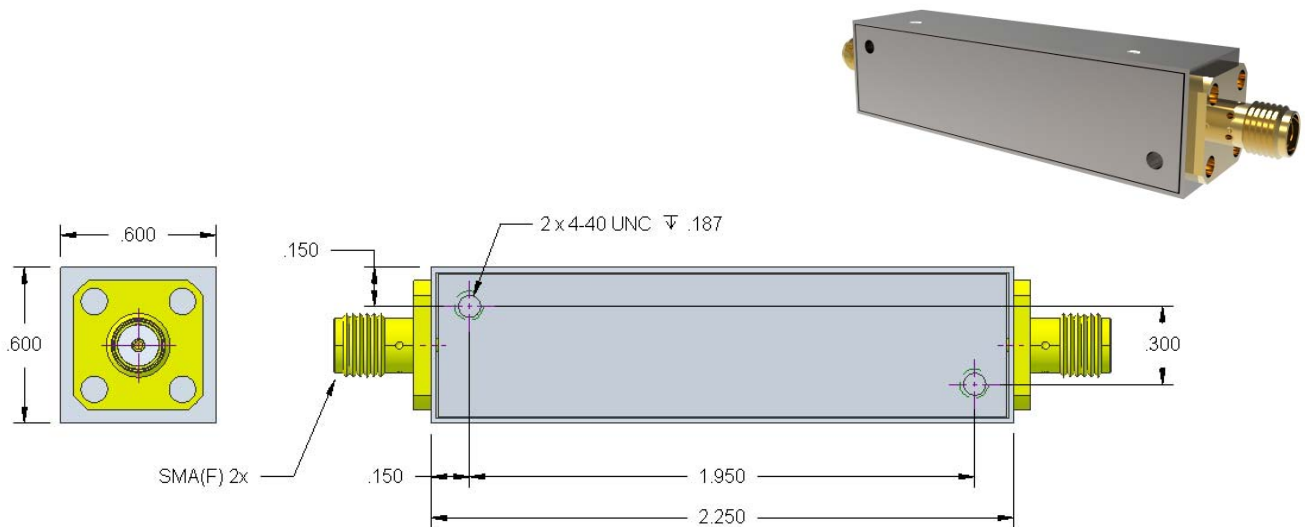


# KR Electronics 3463-SMA

## Specifications

Parameter	Specification
Filter type	Highpass
Loss at 500 MHz	5 dB max < 2 dB typical
Loss at 476 MHz	30 dB min
Source and Load	50 Ω

## Physical Dimensions



**Notes:**

1. Dimensions in inches
2. Metal Case
3. SMA(F) Connectors