

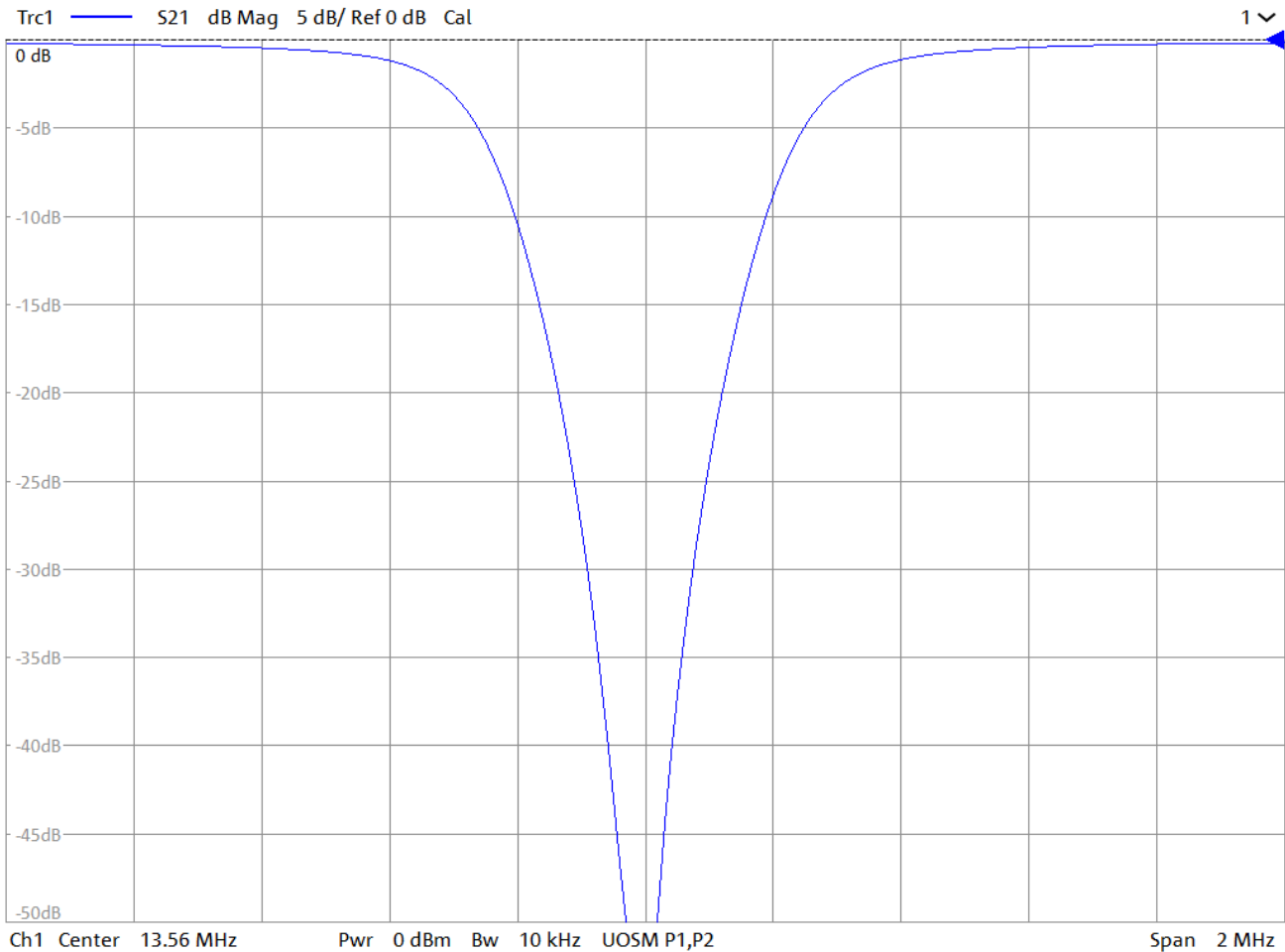
## General Description

KR Electronics 3483-SMA is a 13.56 MHz notch filter. Other notch frequencies are available. Please consult the factory.

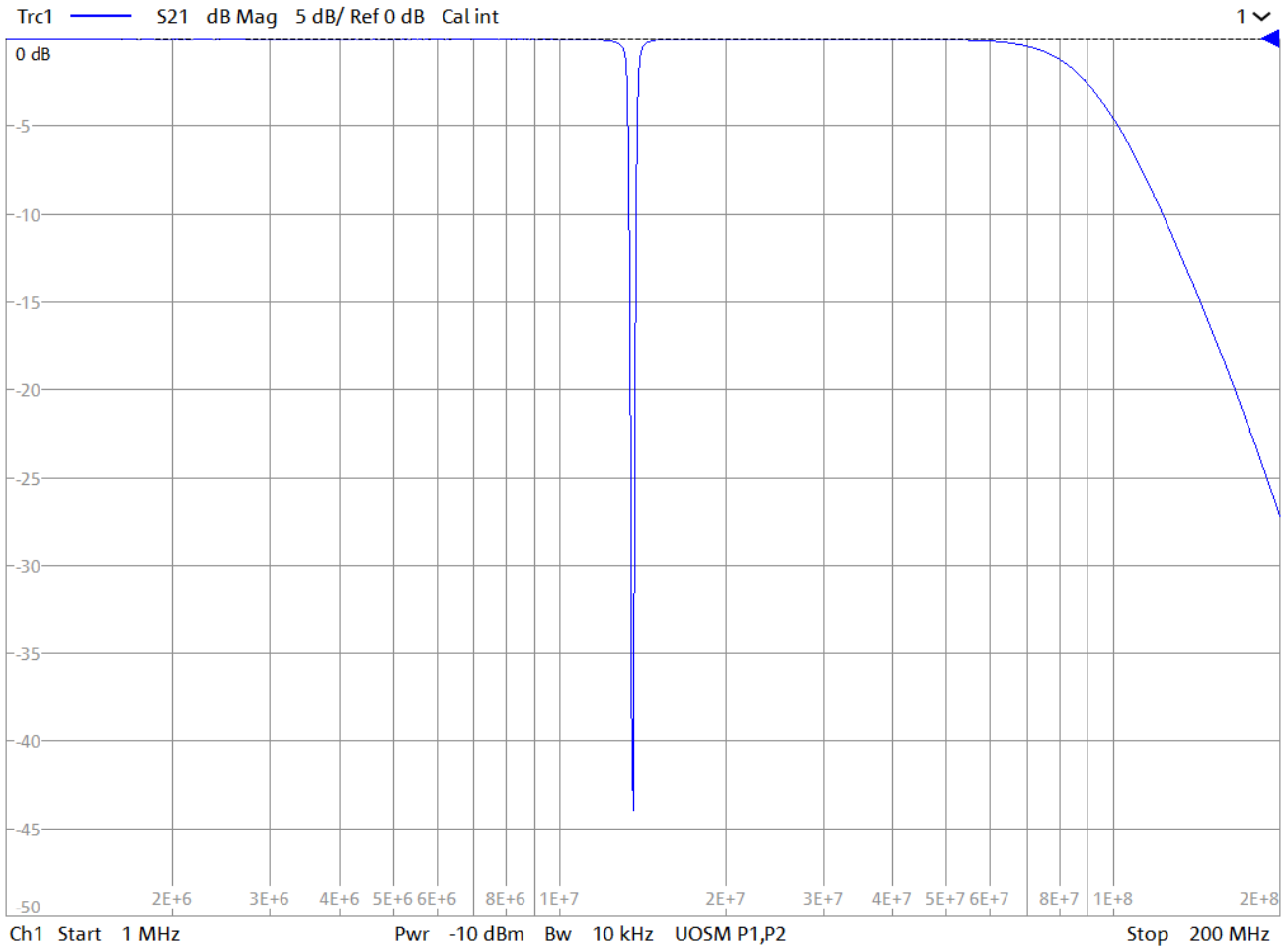
### Features

- 13.56 MHz Notch Filter
- Typical 3 dB BW: 584 KHz
- Typical 40 dB BW: 99 KHz
- 50Ω Source & Load
- SMA Connectors

## Typical Performance



Typical Performance

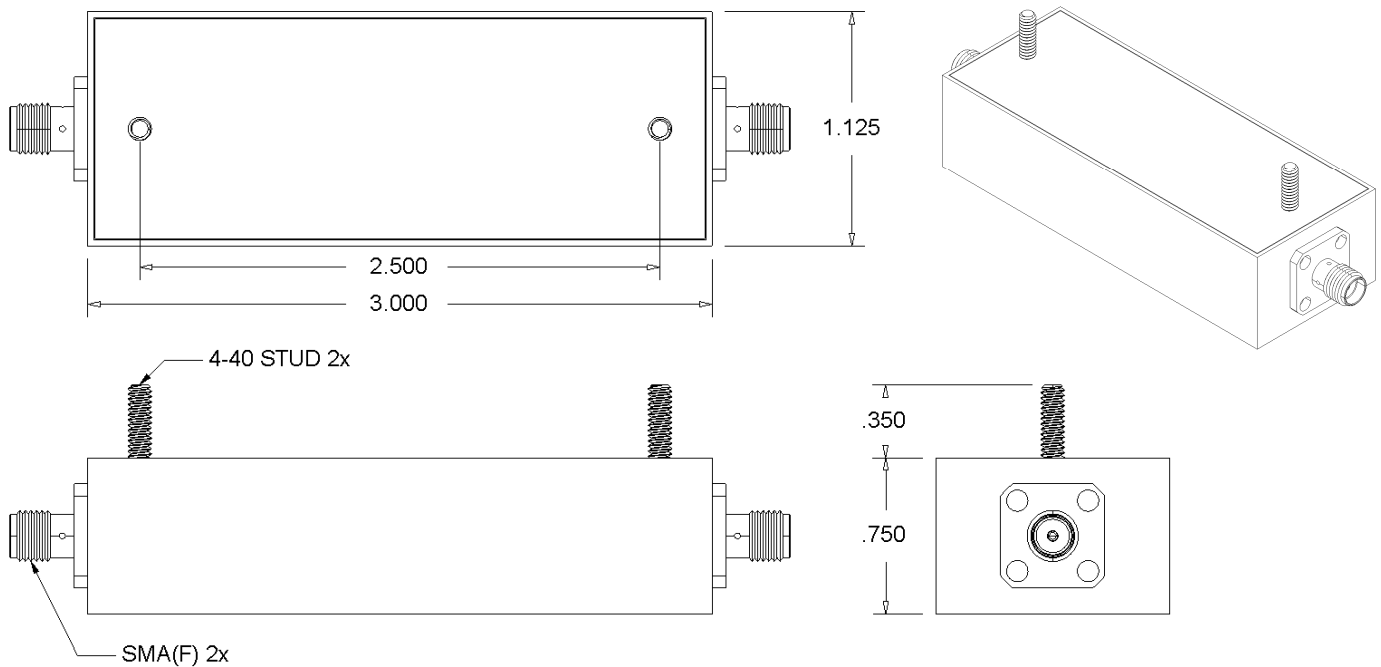


# KR Electronics 3483-SMA

## Specifications

| Parameter                     | Specification   | Notes |
|-------------------------------|-----------------|-------|
| Filter type                   | Notch           |       |
| Notch Frequency Fc            | 13.56 MHz       |       |
| Rejection at 13.5 to 13.6 MHz | 27 dB min       |       |
| 3 dB Bandwidth                | 584 KHz typical |       |
| 40 dB Bandwidth               | 99 KHz typical  |       |
| Source and Load               | 50 $\Omega$     |       |
|                               |                 |       |
|                               |                 |       |
|                               |                 |       |
|                               |                 |       |

## Physical Dimensions



- Notes:  
1. Dimensions in inches