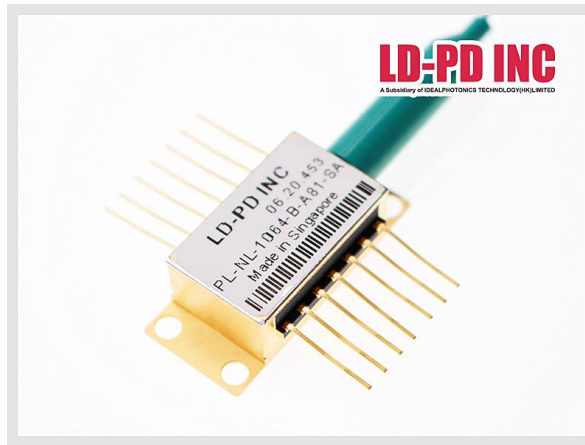


1064nm Narrow Linewidth Laser Diodes



Description

The PL-NL series Fiber Bragg Grating laser is single frequency laser diode module designed for optical measurement and communication. The laser is packaged in 14-pin standard butterfly package with monitor photodiode and thermo-electric cooler (TEC)

Features

- Optical output: 35mW
- Narrow linewidth ($\Delta\nu < 1\text{MHz}$)
- Wavelength: 1064nm @ 25°C
- SM or PM Fiber ($\varnothing 0.9\text{mm}$)
- FC-APC connector
- 14-pin butterfly package
- Internal monitor PD and TEC
- Low power consumption

Application

- Laser interference experiment
- Drop-side of DWDM long-haul transport equipment
- Optical Test and Instrumentation
- Microwave Photonics
- CATV networks
- Sensors

E/O Characteristics

Optical Characteristics (at 25 °C laser temperature)

Parameter	Symbol	Condition	Min.	Typical	Max.	Unit
Center Wavelength	λ_c	TL=15~ 35°C CW	1062	1064	1066	nm
Peak Optical Output Power	PO	-	-	25	35	mW
Spectral linewidth	LW	-	-	1	10	MHz
Side-mode Suppression Ratio	SMSR	CW	40	50	-	dB
Optical Isolation	-	-10 < TC < +70 °C	30	-	-	dB
Polarization Extinction Ratio	ER	-	20	-	-	dB
Relative Intensity Noise	RIN		-	-	-135	dB/Hz
Wavelength drift with case (-10 to 70 °C) temperature	$\Delta\lambda$	TL=15~ 35°C	-	-	±30	pm
Wavelength Temperature coefficient	$\Delta\lambda/\Delta T$	TL=15~ 35°C	-	65	80	pm/°C
Wavelength Current coefficient	$\Delta\lambda/\Delta I$	-	-	1.0	2	pm/mA

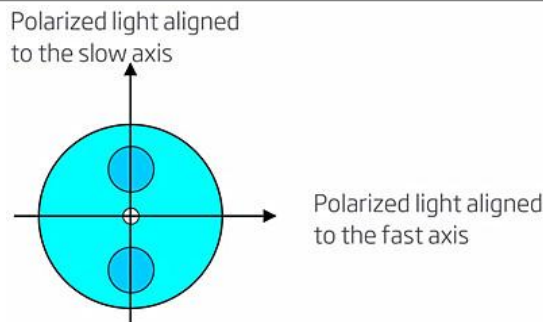
Electrical Characteristics (at 25 °C laser temperature)

Parameter	Symbol	Condition	Min.	Typical	Max.	Unit
Threshold Current	ITH	-	-	25	40	mA
Operating current	I _{op}	CW	-	80	150	mA
TEC set temperature	T _s	-	15	-	35	°C
Laser Forward Voltage	V _F	CW output power@ 15 mW	-	1.3	2.5	V
Monitor Dark Current	I _D	P _f =15mw V _{RD} =5V	-	-	0.1	μA
Input Impedance	Z _{IN}	-	22	25	28	Ω
Thermistor Current	I _{TC}	-	10	-	100	μA

Thermistor Resistance	RTH	TL = 25 °C	9.5	10	10.5	KΩ
TEC Current	ITEC	TL = 25 °C, TC = 70 °C	-	-	1.4	A
TEC Voltage	VTEC	TL = 25 °C, TC = 70 °C	-	-	2.8	V

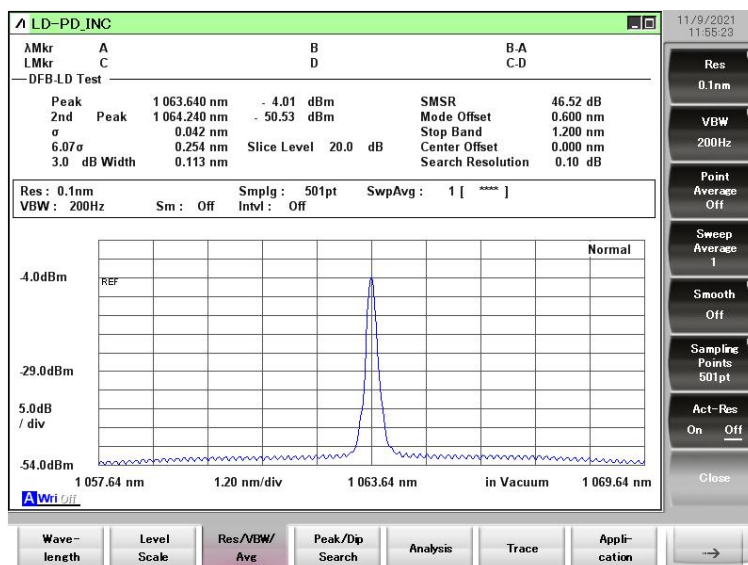
Fiber Pigtail Specifications

Parameters	Description
Fiber Type	PM fiber
Jacket Type	900µm loose tube
Pigtail Length	1.0±0.1m
Connector Type	FC/APC
PM fiber Connector Orientation	Please see the right figure

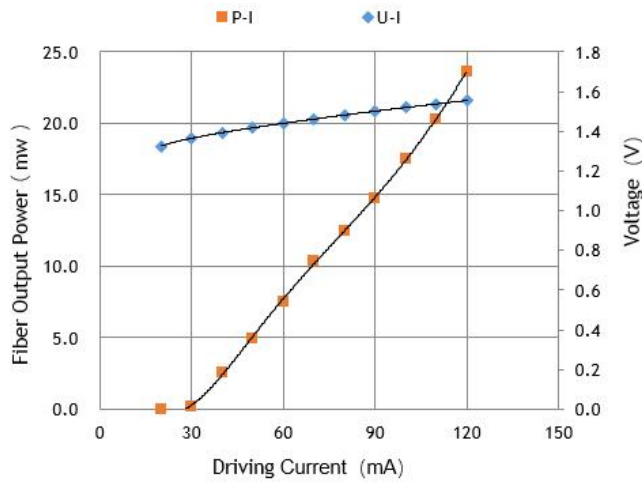


Note: The PM fiber and the connector key are aligned to the slow axis, fast axis is blocked.

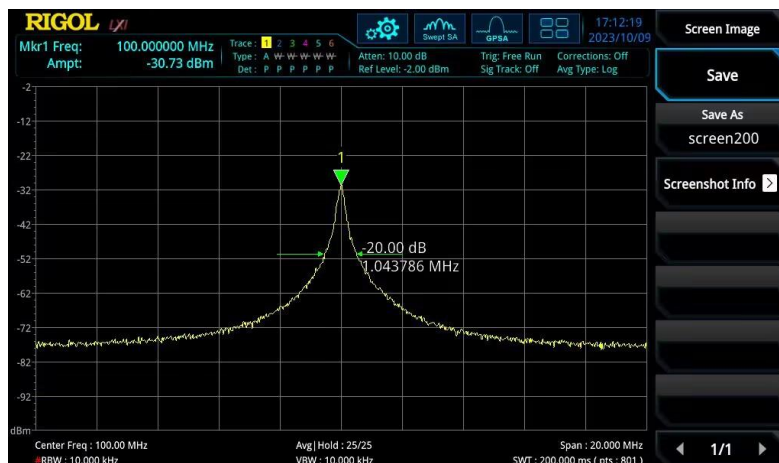
Spectrum



L-I Curve



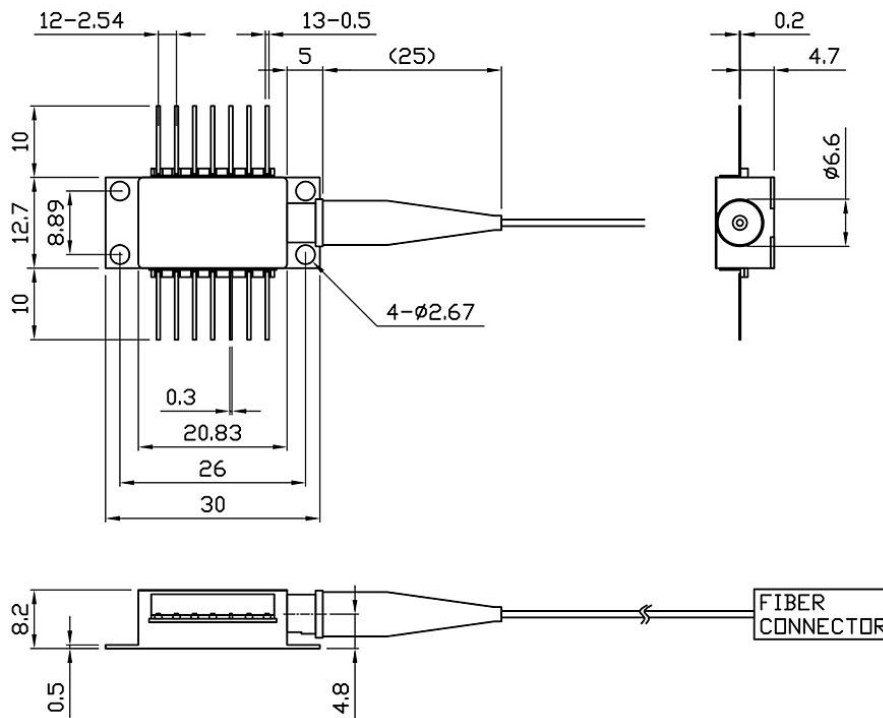
Linewidth test (50km Time delay and 1064nm Dual stage fiber Optcial Isolator Built)



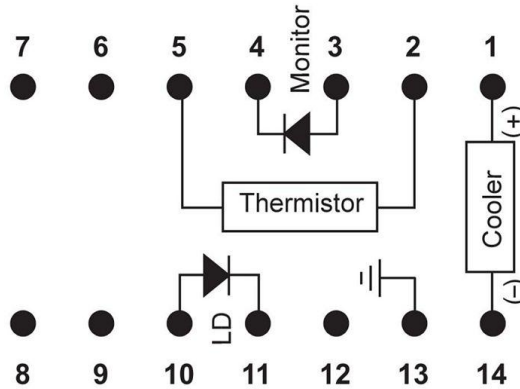
Wavelength Stability Test Result



Package Size



Pin definition



1	Thermoelectric Cooler (+)	8	N/C
2	Thermistor	9	N/C
3	PD Monitor Anode (-)	10	Laser Anode (+)
4	PD Monitor Cathode (+)	11	Laser Cathode (-)
5	Thermistor	12	N/C
6	N/C	13	Case Ground
7	N/C	14	Thermoelectric Cooler (-)

Absolute Maximum Ratings

Item	Unit	Min	Typ	Max
Case Temperature	°C	-5	25	70
Chip Temperature	°C	+10	25	40
Operating Current	mA	0	80	120
Forward Voltage	V	0.8	1.2	1.8
TEC Current	A	-	1.2	1.4
Reverse Voltage (LD)	V	-	-	1.8

Ordering Info

PL-NL-□□□□-☆-A8▽-XX

□□□□: Wavelength

0633:633nm

1050:1050nm

1550:1550nm

1555:1555nm

1560:1560nm

☆ : Output Power

A: 10mW

B: 35mW

▽: Linewidth

1: <10MHZ

XX: Fiber and Connector Type

SA=SMF-28E+ FC/APC

SP=SMF-28E+ FC/PC

PP=PM Fiber+ FC/PC

PA=PM Fiber+ FC/APC