



Full K Band Coax Isolator, 1.5 dB Insertion Loss, 15 dB Isolation

Description:

Model SNC-1832731515-KFKF-I7 is a full K band coaxial isolator that covers the frequency range of 18 to 26.5 GHz. The full band isolator is designed and manufactured to provide an insertion loss of 1.5 dB typical with good flatness. The isolator also offers a moderate isolation of 15 dB for system integration and a high power handling. The RF interface of other type of connector combinations are also offered under different model numbers.



Features:

- Broad Band Operation
- High Power Handling
- Moderate Isolation

Applications:

- Port Isolation
- Instrumentation
- Module Integration

Electrical Specifications:

Parameter	Minimum	Typical	Maximum
Frequency	18.0 GHz		26.5 GHz
Insertion Loss		1.5 dB	
Isolation		15 dB	
Return Loss		14 dB	
Forward Power Handling			10 W (CW)
Reverse Power Handling			1 W (CW)
Impedance		50 Ω	
Specification Temperature		+25 °C	
Operating Temperature	-40 °C		+80 °C

Mechanical Specifications:

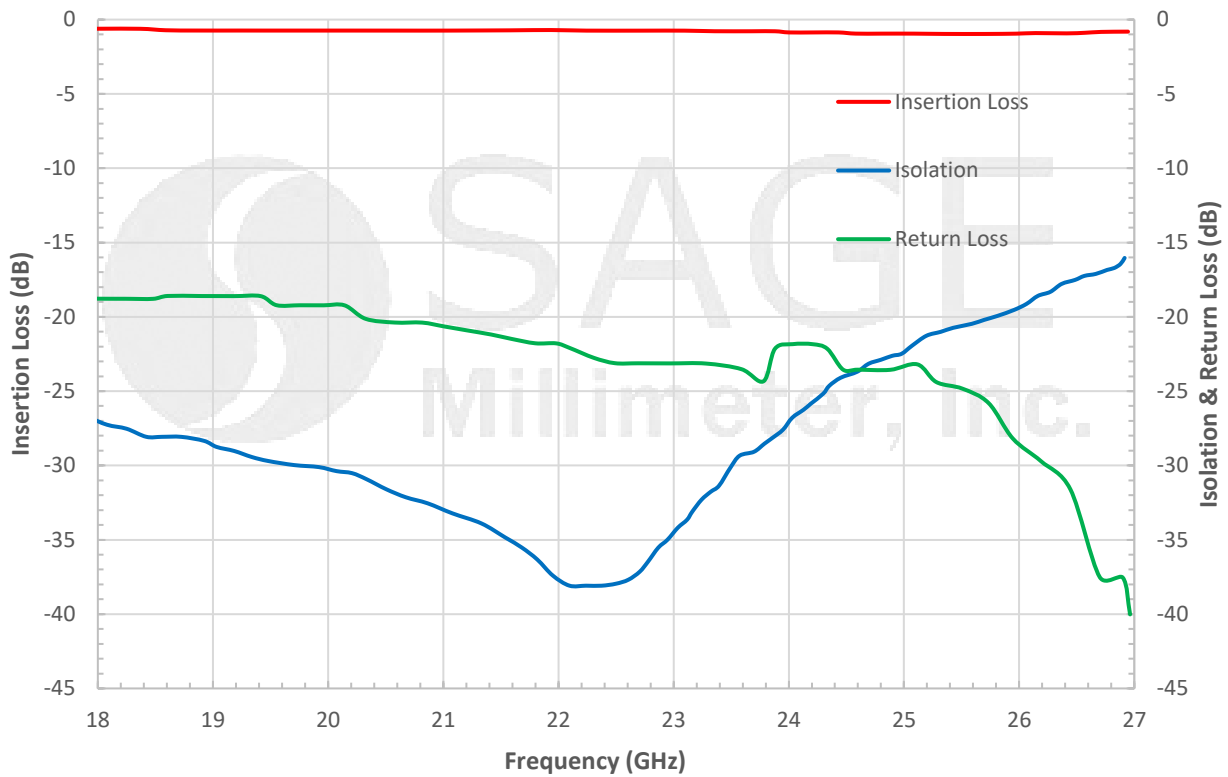
Item	Specification
Input Connector	K(F)
Output Connector	K(F)
Material	Copper
Finish	Nickel Plated
Weight	0.71 Oz
Size	0.39" (L) x 1.10" (W) x 0.47" (H)
Outline	NC-IK-DB2



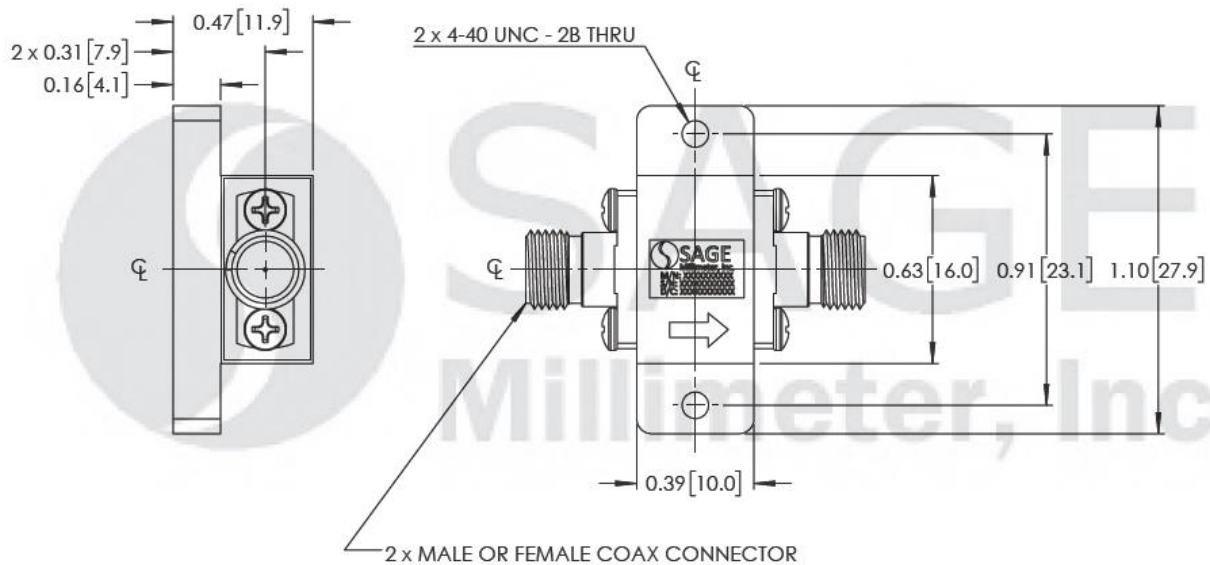


Full K Band Coax Isolator, 1.5 dB Insertion Loss, 15 dB Isolation

Typical Performance vs. Frequency



Mechanical Outline: (Unless otherwise specified, all dimensions are in inches [millimeters])





Full K Band Coax Isolator, 1.5 dB Insertion Loss, 15 dB Isolation

Note:

- All data presented is collected from a sample lot. Actual data may vary unit to unit slightly.
- All testing was performed under +25°C case temperature.
- Other input/output connector type combinations are available under different model numbers.
- SAGE Millimeter, Inc. reserves the right to change the information presented without notice.

Caution:

- Exceeding absolute maximum ratings will damage the device.
- The device is magnetic field sensitive. Always keep magnetic fields a minimum of 6 inches away.
- Proper torque, 8.0 ± 0.15 inch-pounds (0.90 ± 0.02 Nm), should be applied. **SAGE Millimeter torque wrench, model SCH-08008-U3, is highly recommended.**

