



Full K Band Coax Circulator, 1.6 dB Insertion Loss, 14 dB Isolation

Description:

Model SNC-1832731614-SFSFSF-C7 is a K band coaxial circulator that covers the frequency range of 18 GHz to 26.5 GHz. The wide band circulator is designed and manufactured to provide an insertion loss of 1.6 dB typical with good flatness. The circulator also offers a moderate isolation of 14 dB and a high-power handling for system integration. The ports are SMA (F) connectors. The RF interface of other type of connector combinations are also offered under different model numbers.



Features:

- Full Band Operation
- High Power Handling
- Moderate Isolation

Applications:

- Port Isolation
- Instrumentation
- Module Integration

Electrical Specifications:

Parameter	Minimum	Typical	Maximum
RF Frequency	18 GHz		26.5 GHz
Insertion Loss		1.6 dB	
Isolation		14 dB	
Return Loss		14 dB	
Forward Power Handling			10 W (CW)
Reverse Power Handling			1 W (CW)
Impedance		50 Ω	
Specification Temperature		+25 °C	
Operating Temperature	-40 °C		+80 °C

Mechanical Specifications:

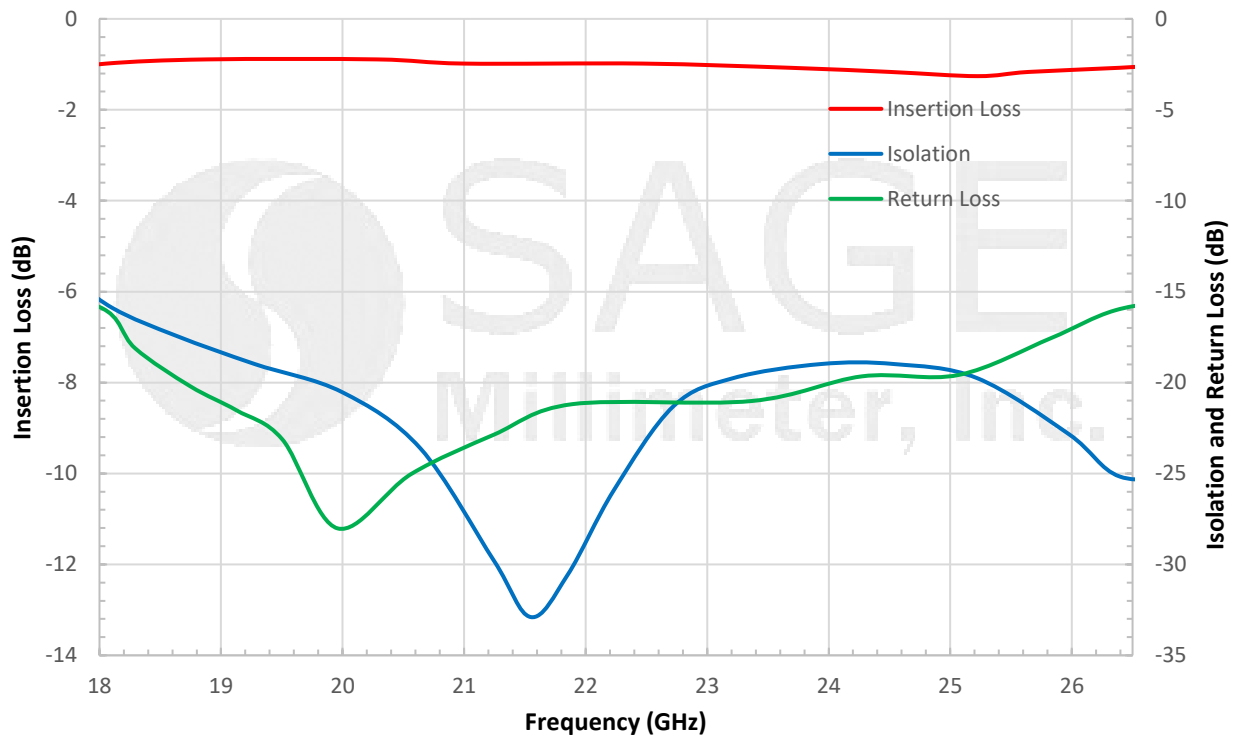
Item	Specification
Connector 1	SMA(F)
Connector 2	SMA(F)
Connector 3	SMA(F)
Case Material	Copper
Finishing	Nickel Plated
Connector Finishing	Passivation
Weight	1.0 Oz
Size	0.91" (L) x 0.66" (W) x 0.98" (H)
Outline	NC-CA-DB1



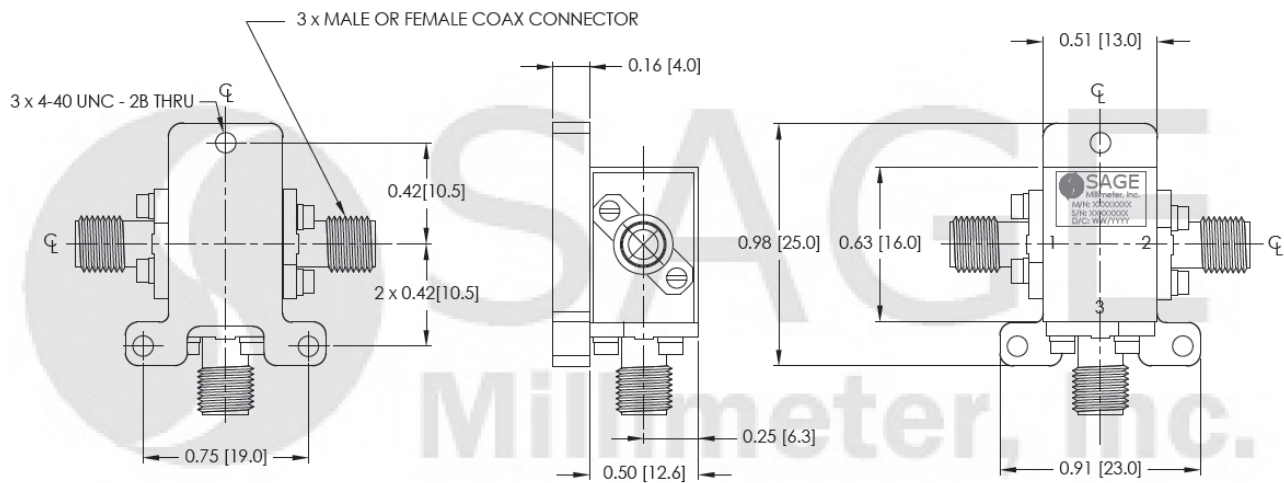


Full K Band Coax Circulator, 1.6 dB Insertion Loss, 14 dB Isolation

Typical Performance vs. Frequency



Mechanical Outline: (Unless otherwise specified, all dimensions are in inches [millimeters])



Note:

- All data presented is collected from a sample lot. Actual data may vary unit to unit slightly.
- All testing was performed under +25 °C case temperature.
- Other input/output connector type combinations are available under different model numbers.
- SAGE Millimeter, Inc. reserves the right to change the information presented without notice.



www.sagemillimeter.com | 3043 Kashiwa Street, Torrance, CA 90505
 Phone: 424-757-0168 | Fax: 424-757-0188 | Email: sales@sagemillimeter.com

Full K Band Coax Circulator, 1.6 dB Insertion Loss, 14 dB Isolation

Caution:

- Exceeding absolute maximum ratings will damage the device.
- The device is magnetic field sensitive. Always keep magnetic fields a minimum of 6 inches away.
- Proper torque, 8.0 ± 0.15 inch-pounds (0.90 ± 0.02 Nm), should be applied. **SAGE Millimeter torque wrench, model SCH-08008-U3, is highly recommended**

