

1 2 3 4 5 6 7 8

A

A

B

B

C

C

D

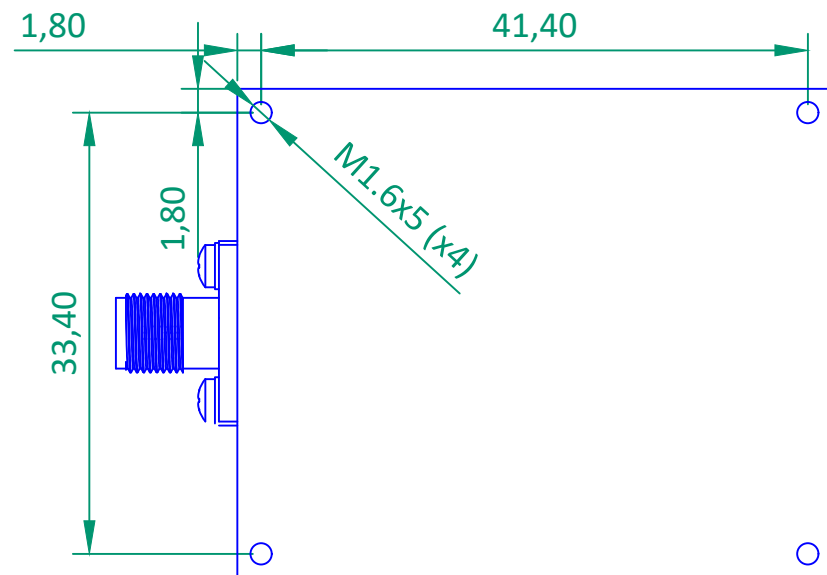
D

E

E

F

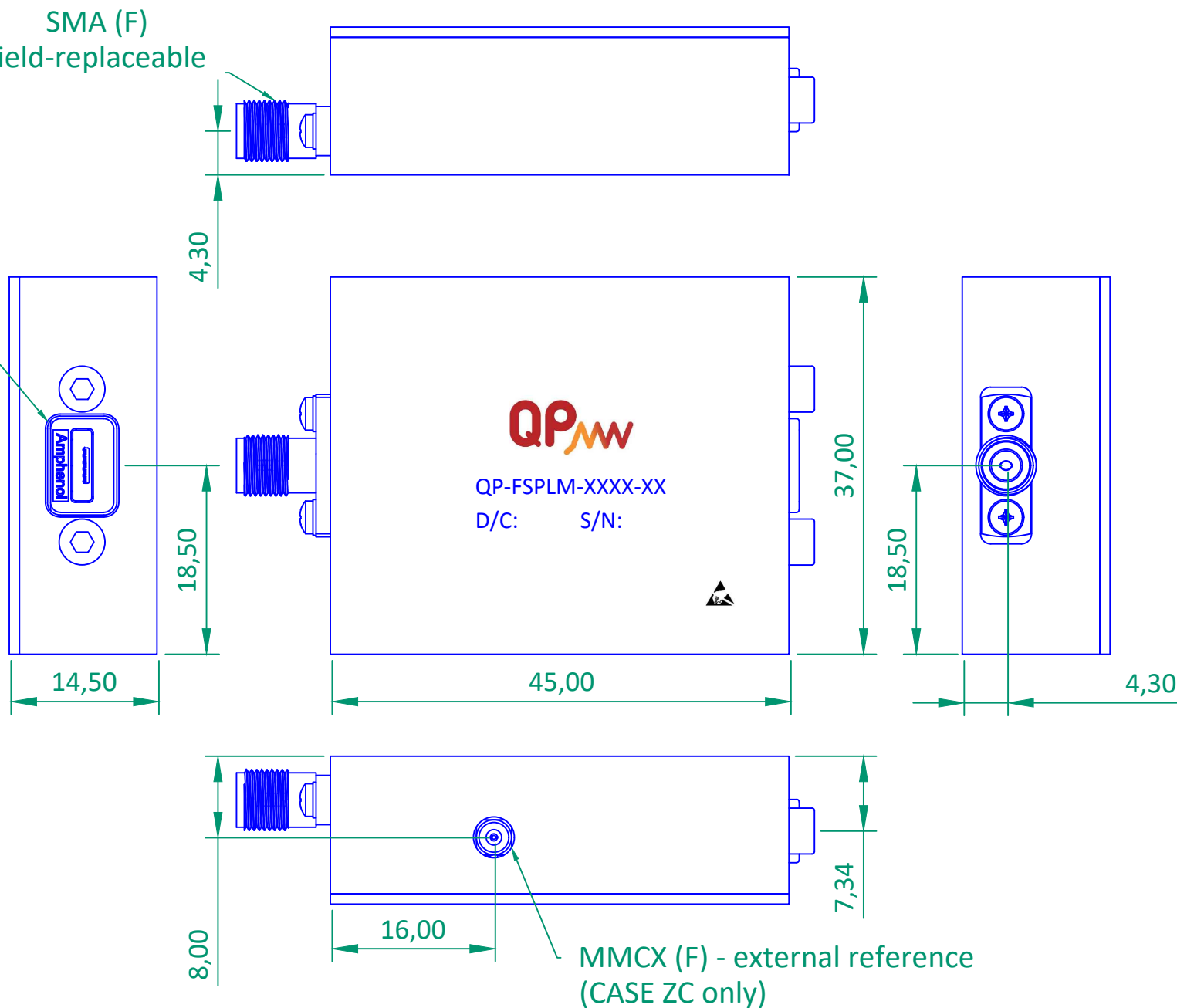
F



ALL THE DIMENSIONS ARE SHOWN IN mm

SMA (F)
field-replaceable

micro-USB



ELECTRICAL SPECIFICATIONS

FREQUENCY RANGE: 6-12.5 GHz
 FREQUENCY STEP: 1 Hz
 ATTENUATION RANGE: 31.5 dB
 ATTENUATION STEP: 0.5 dB
 OUTPUT POWER: +13 dBm ± 1dBm
 OUTPUT RETURN LOSSES: 14 dB
 HARMONIC LEVEL: -35 dBc min.
 NO SUBHARMONICS
 SPURIOUS LEVEL: -70 dBc typ. (Freq. multiple of 80 MHz)

TEMPERATURE STABILITY: ±0.28 ppm
 AGING: ±3 ppm (20 years)
 SUPPLY VOLTAGE: USB 3.0 powered
 POWER CONSUMPTION: 3W
 DIGITAL CONTROL: USB 3.0
 OPTIONS: X=0 (INTERNAL CLK)
 X=1 (10 MHz OR 100 MHz EXTERNAL CLOCK)

SELECTABLE) CONNECTORS:
 SMA (F)
 micro-USB
 MMCX (F)

*Software GUI included

ENVIRONMENTAL RATINGS

- TEMPERATURE: -20°C TO +70°C (OPERATING)
 -40°C TO +85°C (STORAGE)
 - HUMIDITY: MIL-STD-202G, METHOD 103B COND. B
 - SHOCK: MIL-STD-202G, METHOD 213B COND. B
 - VIBRATION: MIL-STD-202G, METHOD 204D COND. B
 - ALTITUDE: MIL-STD-202G, METHOD 105C COND. B
 - TEMP. SHOCK: MIL-STD-202G, METHOD 107G COND. A

PHASE NOISE (Typical)

	@6 GHz	@9 GHz	@12 GHz	Unit
1 KHz	-91	-90	-86	dBc/Hz
10 KHz	-107	-104	-101	dBc/Hz
100 KHz	-108	-105	-102	dBc/Hz
1 MHz	-121	-120	-115	dBc/Hz
5 MHz	-136	-134	-130	dBc/Hz



NOTE: The above specifications are subject to change or revision. Specifications are at 25°C unless stated otherwise

 QP microWAVE CÓLQUIDE 6 28231 LAS ROZAS MADRID, SPAIN	APPROVALS	DATE	SIGNED	DESCRIPTION: 6 - 12.5 GHz FREQ. SYNTHESIZER	REV.:	SHEET:
	DRAW	14/09/22	CRU	CODE: QP-FSPLM-0612-X3	00B	1 OF 1
	CHECKED	14/09/22	BME			
APPROVED	14/09/22	JAV				

1 2 3 4 5 6 7 8 RCHDC_EN_01